

# PRO6950 PRO6950BN



## 4"Two Handle Bar Faucet

### Features:

- Solid brass/copper waterways
- 4"center hole
- Ceramic Disc cartridge
- ½" 14 NPSM Inlet
- Metal lever handle
- 100% factory pressure tested



### Applicable Standards/Codes:

Specified model meets or exceeds the following:

- ANSI/ASME A112.18.1
- CSA B125
- ANSI/NSF 61 – Sec. 9
- IAPMO/UPC/AB1953
- ADA Compliant 

### Available finishes:

- CP = Polished Chrome
- BN = Brushed Nickel

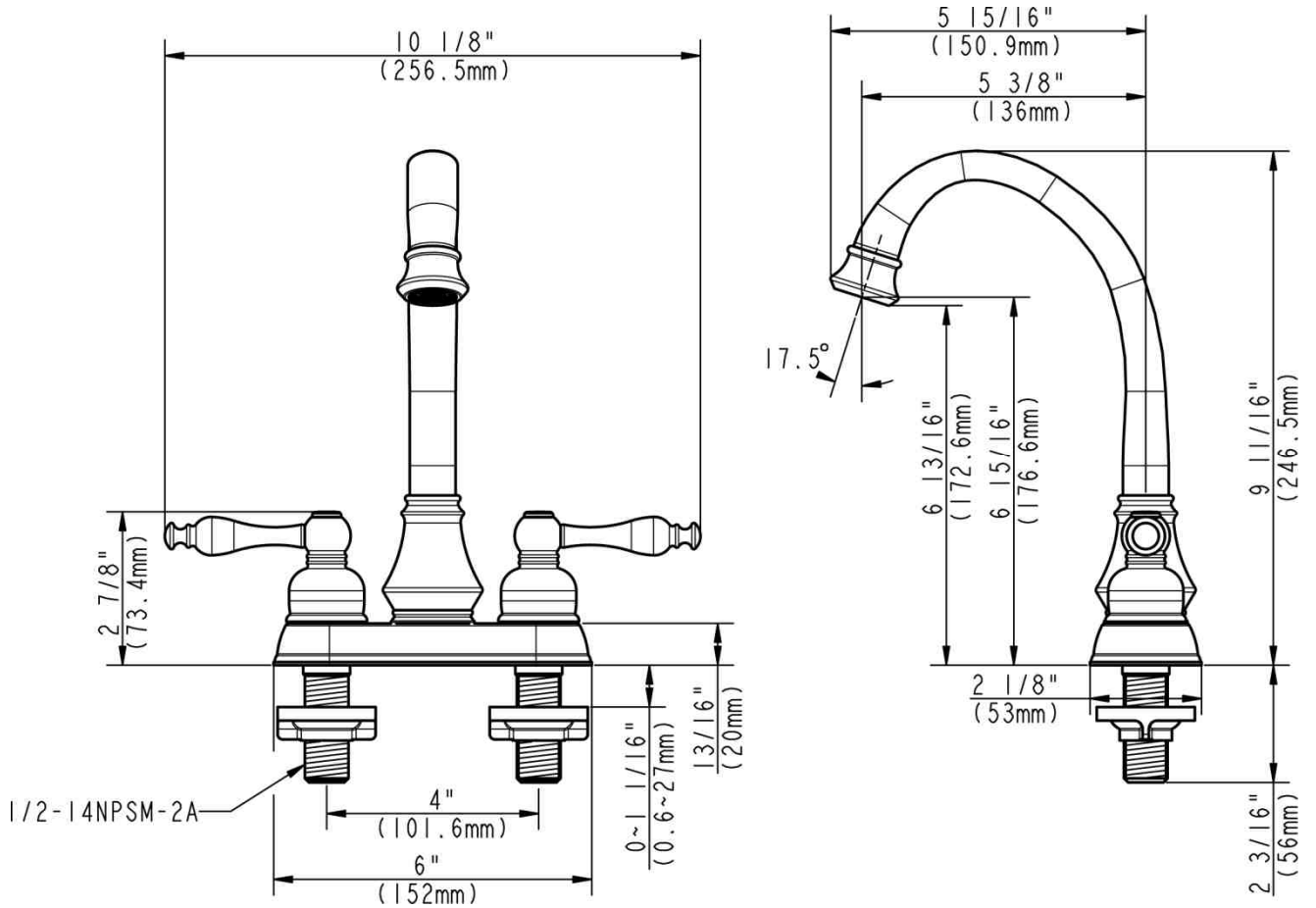
### Specified model:

Model	Description	Finish
PRO6950	4"two handle bar Faucet,	CP
PRO6950BN	4"two handle bar Faucet,	BN

**PRO6950  
PRO6950BN**



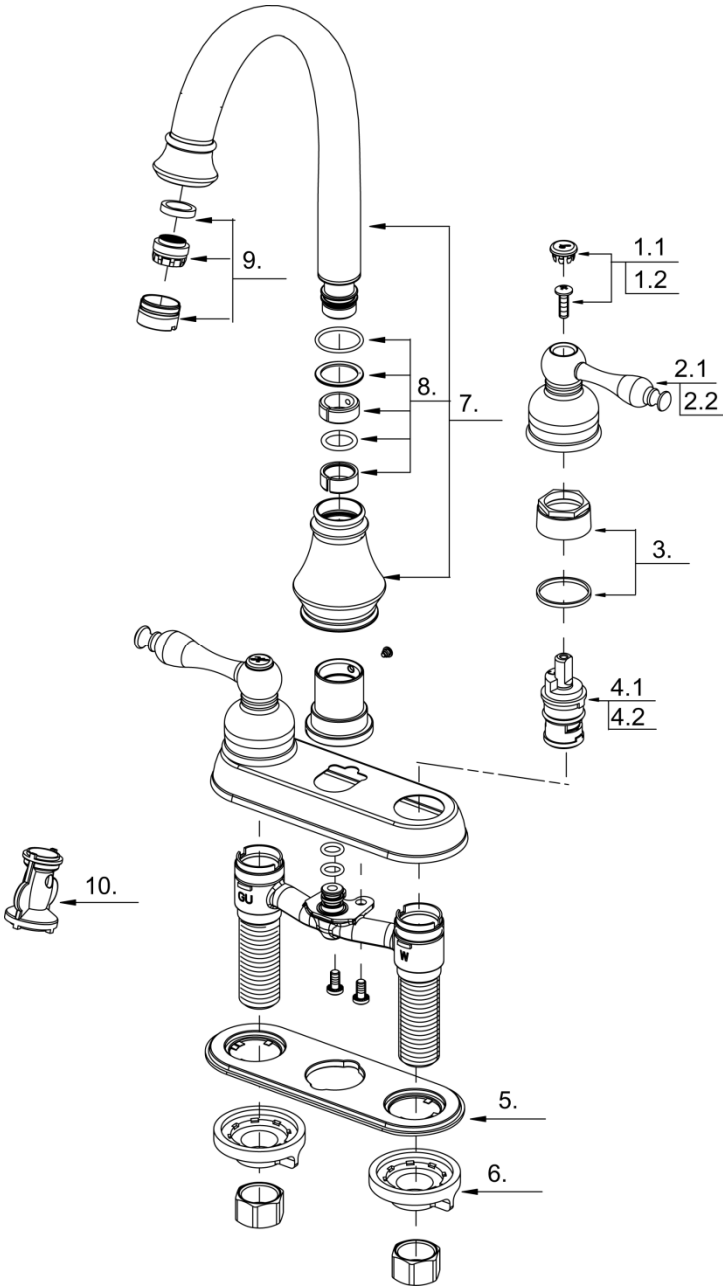
**Product Specification Diagram**



**PRO6950**  
**PRO6950BN**



**Exploded Drawing**



**PRO6950**  
**PRO6950BN**



**Parts Listing**

<b>No.</b>	<b>Part Name</b>	<b>Part No.</b>
1.1	Index Button-Cold	A66D575C
1.2	Index Button-Hot	A66D575H
2.1	Metal Handle Assembly-Cold	A662292C
2.2	Metal Handle Assembly-Hot	A662292H
3	Retainer Nut Assembly	A663629
4.1	Ceramic Disc Cartridge-Cold	A507104N
4.2	Ceramic Disc Cartridge-Hot	A507103N
5	Putty Plate	A011343NF
6	Lock Nut Set	A504023
7	Spout Assembly	A666751W
8	Spout Seal Kit	A66D089N
9	Aerator	A500834N
10	Wrench	A031245