

PRO6905



4"Two Handle Bar Faucet

Features:

- Solid brass/copper waterways
- 4"center hole
- Ceramic Disc cartridge
- ½" 14 NPSM Inlet
- Metal lever handle
- 100% factory pressure tested



Applicable Standards/Codes:

Specified model meets or exceeds the following:

- ANSI/ASME A112.18.1
- CSA B125
- ANSI/NSF 61 – Sec. 9
- IAPMO/UPC/AB1953
- ADA Compliant 

Available finishes:

- CP = Polished Chrome

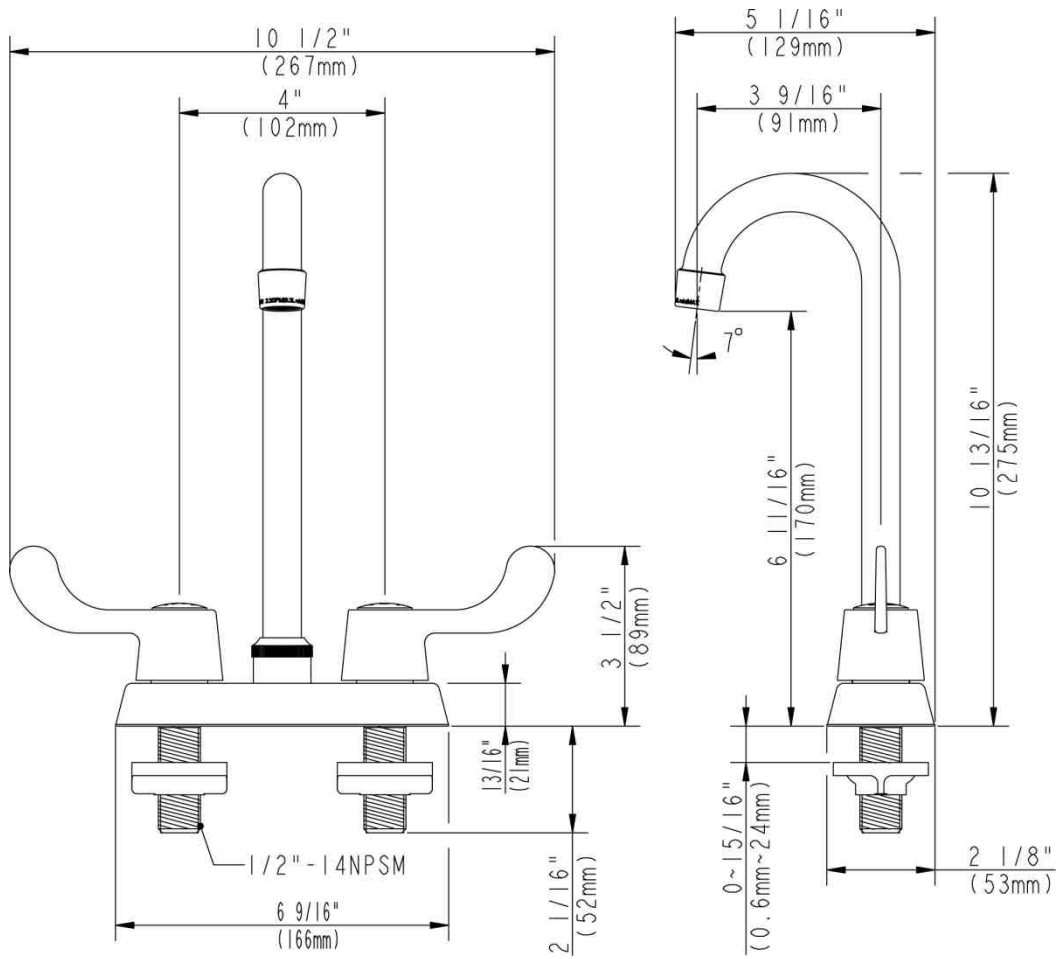
Specified model:

Model	Description	Finish
PRO6905	4"two handle bar Faucet,	CP

PRO6905

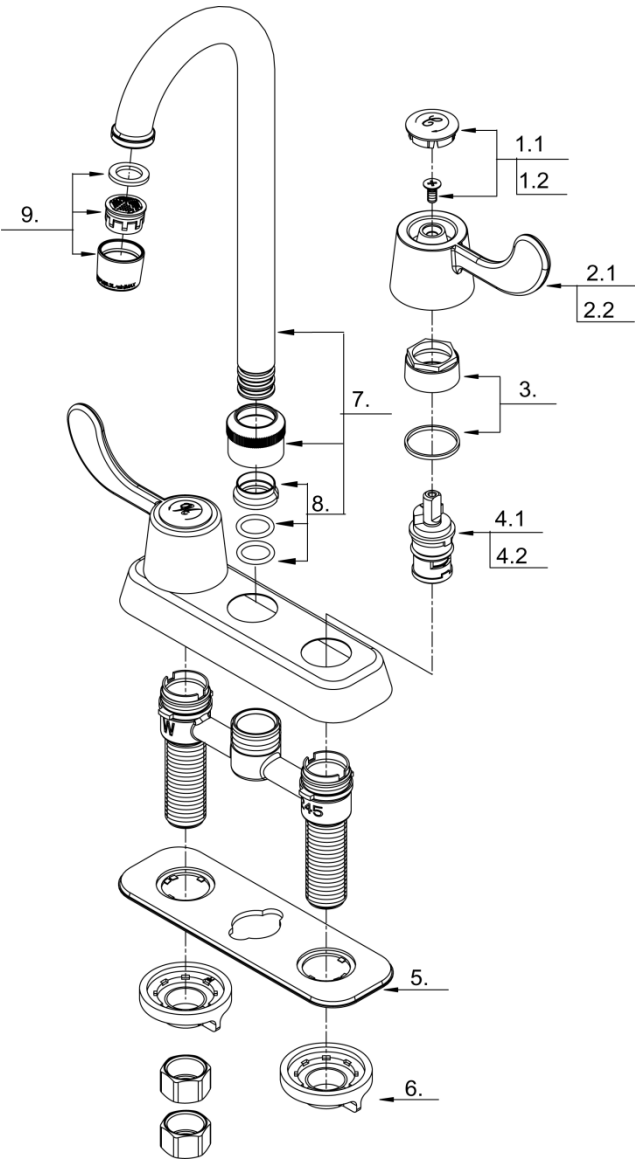


Product Specification Diagram





Exploded Drawing



PRO6905



Parts Listing

No.	Part Name	Part No.
1.1	Index Button-Cold	A66D591C
1.2	Index Button-Hot	A66D591H
2.1	Metal Handle-Cold	A069071C
2.2	Metal Handle-Hot	A069071H
3	Retainer Nut & Washer	A663629
4.1	Ceramic Disc Cartridge-Cold	A507104N
4.2	Ceramic Disc Cartridge-Hot	A507103N
5	Putty Plate	A011018
6	Lock Nut Set	A504023
7	Spout Assembly	A606274N
8	Spout Seal Kit	A66G393
9	Aerator	A500549N