

PRO6900



4"Two Handle Bar Faucet

Features:

- Solid brass/copper waterways
- 4"center hole
- Ceramic Disc cartridge
- ½" 14 NPSM Inlet
- Metal lever handle
- 100% factory pressure tested



Applicable Standards/Codes:

Specified model meets or exceeds the following:

- ANSI/ASME A112.18.1
- CSA B125
- ANSI/NSF 61 – Sec. 9
- IAPMO/UPC/AB1953
- ADA Compliant 

Available finishes:

- CP = Polished Chrome

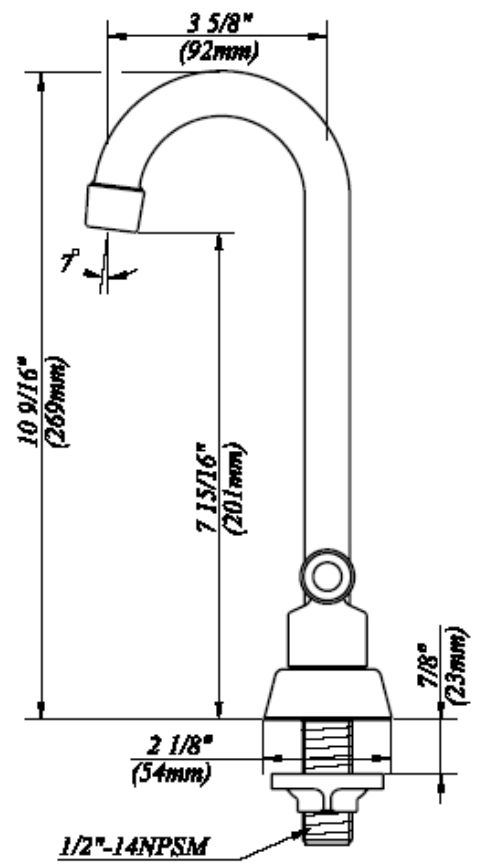
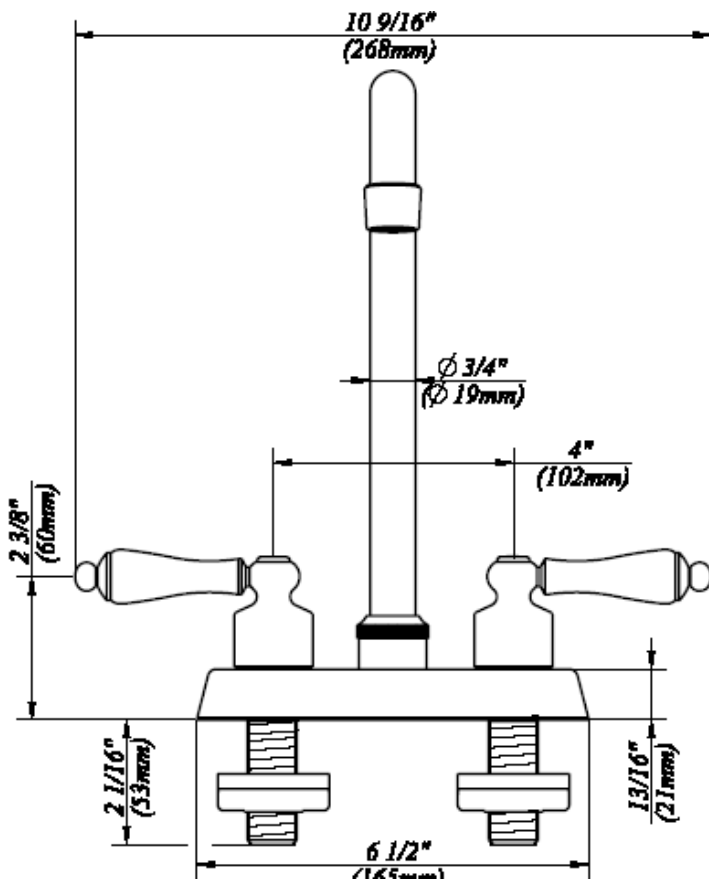
Specified model:

Model	Description	Finish
PRO6900	4"two handle bar Faucet,	CP

PRO6900

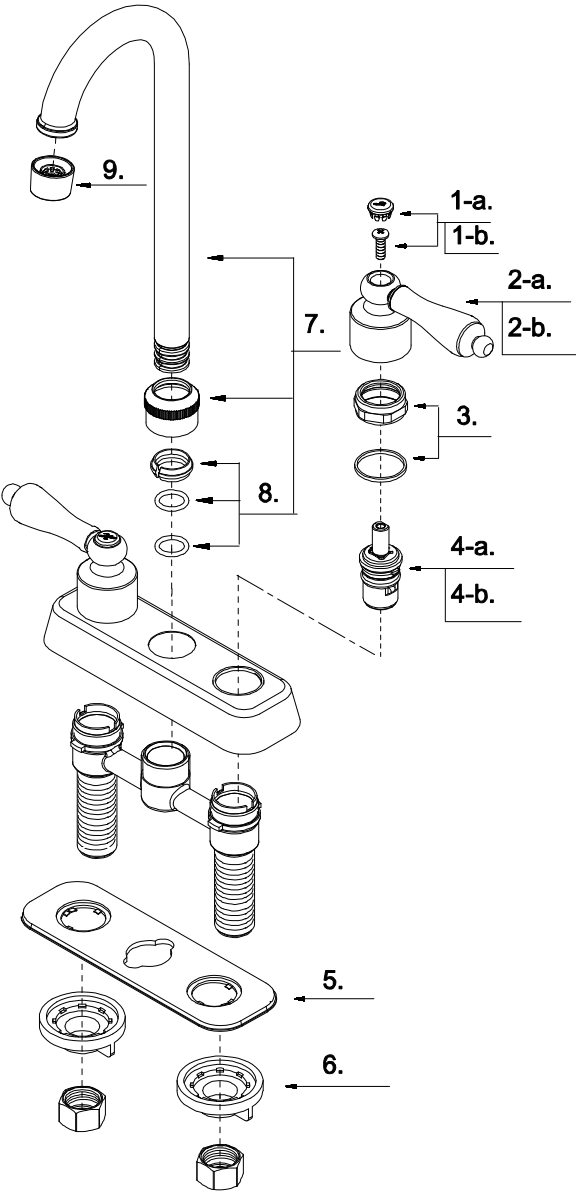


Product Specification Diagram





Exploded Drawing





Parts Listing

No.	Part Name	Part No.
1-a.	Index Button-Cold	A66D575C
1-b.	Index Button-Hot	A66D575H
2-a	Metal Handle Assembly-Cold	A66E343C
2-b.	Metal Handle Assembly-Hot	A66E343H
3	Retainer Nut & Washer	A66D642
4-a	Ceramic Disc Cartridge-cold	A507102W
4-b	Ceramic Disc Cartridge-Hot	A507101W
5	Putty Plate	A011018
6	Lock Nut Set	A504023
7	Spout Assembly	A606274N
8	Spout Seal Kit	A603235N
9	Aerator	A500549N