

# PRO6700



## 4"Two Handle Laundry Faucet

### Features:

- Solid brass/copper waterways
- 4"center hole
- Ceramic Disc cartridge
- ½" 14 NPSM Inlet
- Metal round handle
- 100% factory pressure tested



### Applicable Standards/Codes:

Specified model meets or exceeds the following:

- ANSI/ASME A112.18.1
- CSA B125
- IAPMO/UPC

### Available finishes:

- CP = Polished Chrome

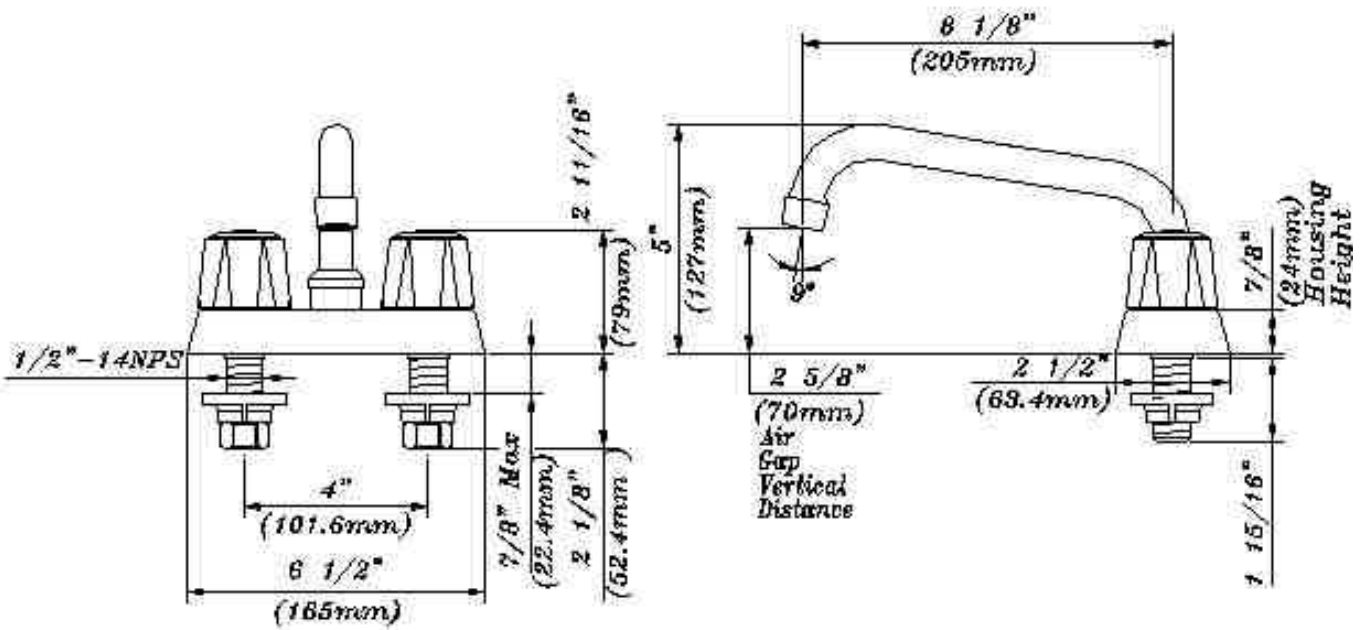
### Specified model:

Model	Description	Finish
PRO6700	4"two handle laundry Faucet,	CP

PRO6700

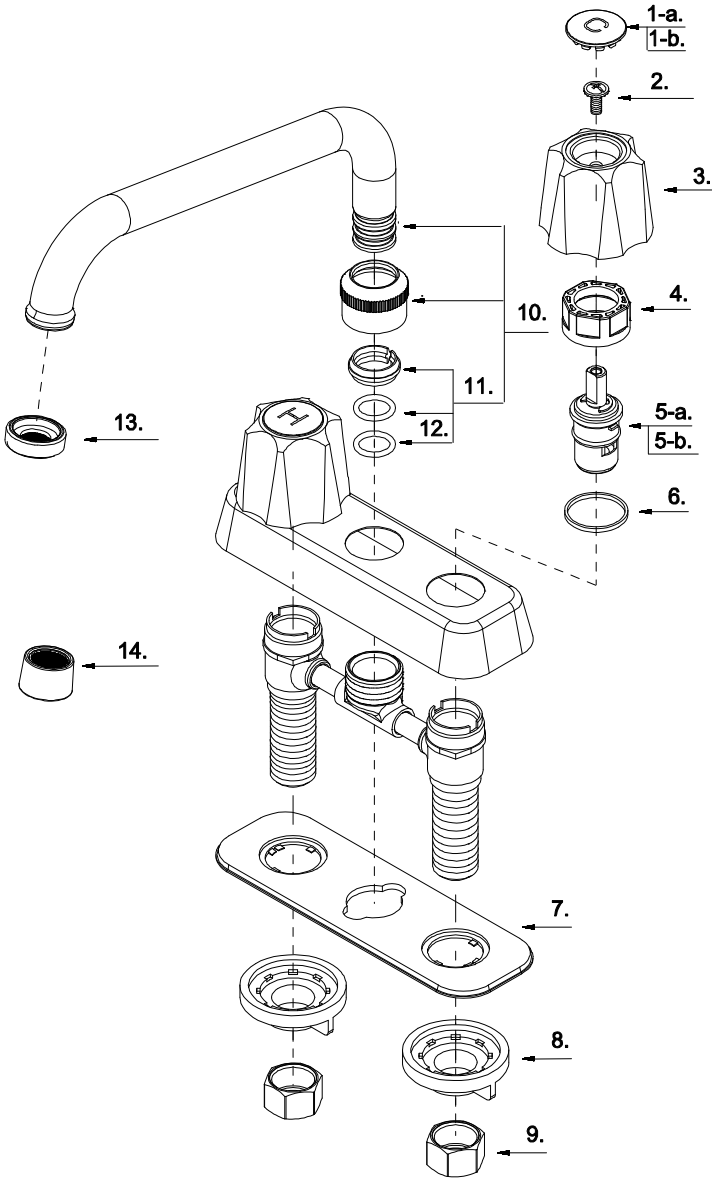


Product Specification Diagram





Exploded Drawing





## Parts Listing

No.	Part Name	Part No.
1-a	Index Button-Cold	A206046C
1-b	Index Button-Hot	A206046H
2	Screw (3/16" -24 * 1/2" L)	A008000
3	Metal Handle	A029009-P
4	Retainer Nut	A016003
5-a	Ceramic Disc Cartridge-Cold	A507102N
5-b	Ceramic Disc Cartridge-Hot	A507101N
6	Washer	A200013
7	Putty Plate	A011018
8	Lock Nut	A009007
9	Coupling Nut	A009016
10	Spout Assembly	A666000N
11	Spout Seal Kit	A663044N
12	O-Ring ( $\Phi$ 9/16" ID * $\Phi$ 3/4" OD)	A004005N
13	Flow Straightener	A500003N
14	Aerator	A500032N