

PRO5450 PRO5450BN



Single Handle Tub & Shower Trim Kit


Features:

- Solid brass/copper waterways
- 1 Setting plastic showerhead
- Metal showerarm and flange
- Metal lever handle
- Slip-fit spout
- 100% factory pressure tested



Applicable Standards/Codes:

Specified model meets or exceeds the following:

- ANSI/ASME A112.18.1
- CSA B125
- IAPMO/UPC
- ADA Compliant 

Available finishes:

- CP = Polished Chrome
- BN = Brushed Nickel

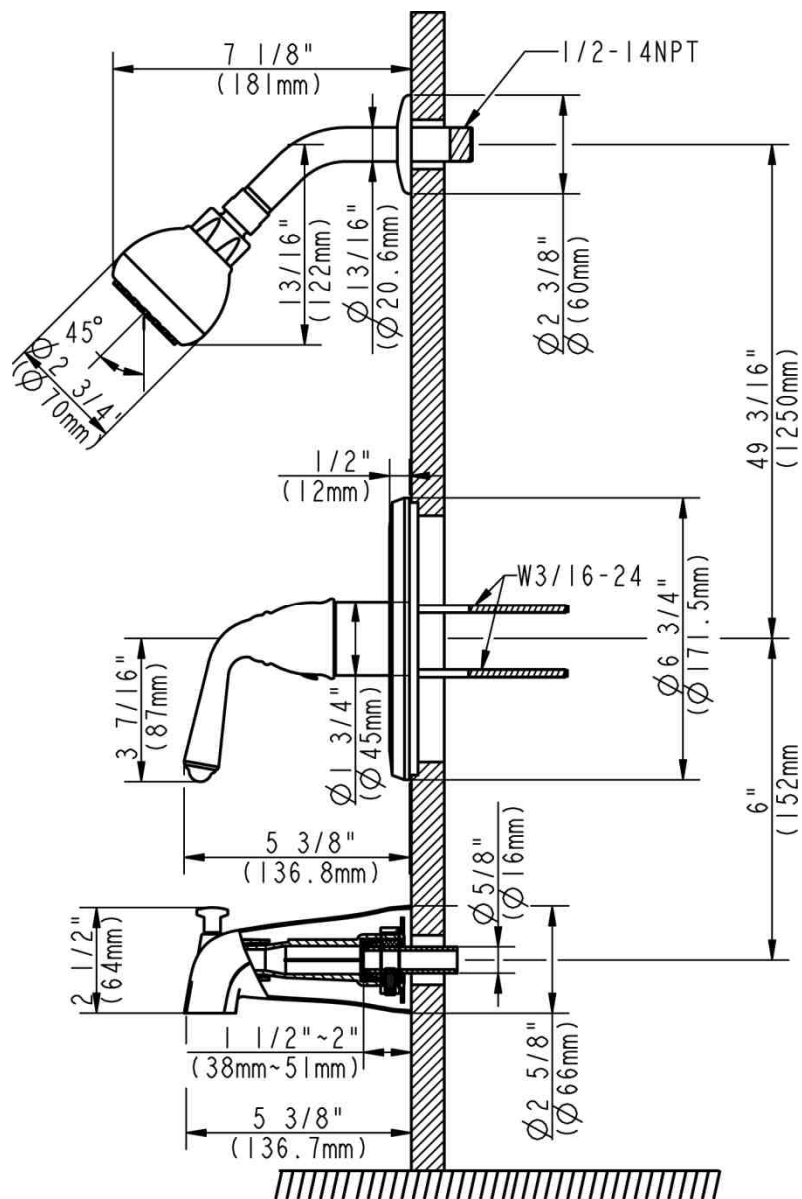
Specified model:

Model	Description	Finish
PRO5450	Single Handle Tub & Shower Trim Kit,	CP
PRO5450BN	Single Handle Tub & Shower Trim Kit,	BN

**PRO5450
PRO5450BN**



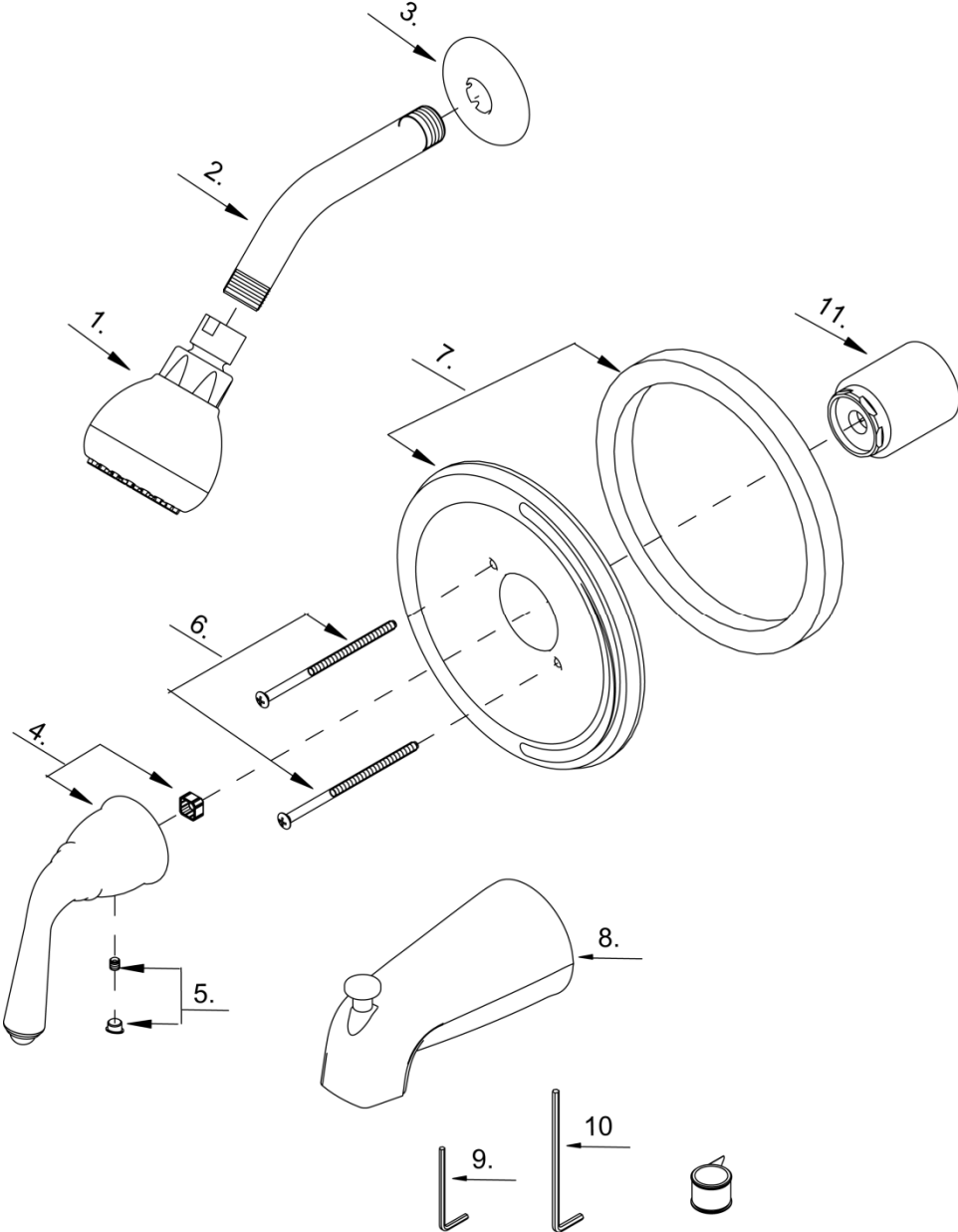
Product Specification Diagram



PRO5450
PRO5450BN



Exploded Drawing



PRO5450
PRO5450BN



Parts Listing

No.	Part Name	Part No.
1	Shower Head	S1211210
2	Shower Arm	A020002-S
3	Shower Arm Flange	A019001-S
4	Metal Handle Assembly	A66E689
5	Handle Cap	A66D568
6	Screw Set (3/16" -24 * 3-11/16" L)	A668047
7	Escutcheon Assembly	A667915-S
8	Spout W/Diverter	A118011
9	Hex Wrench(H2.5 * L * L)	A031000NI
10	Hex Wrench(H3.18 * L * L)	A031017NI
11	Sleeve	A103322