

PRO5400 PRO5400BN



Single Handle Tub & Shower Trim Kit


Features:

- Solid brass/copper waterways
- 1 Setting plastic showerhead
- Metal showerarm and flange
- Metal lever handle
- Slip-fit spout
- 100% factory pressure tested



Applicable Standards/Codes:

Specified model meets or exceeds the following:

- ANSI/ASME A112.18.1
- CSA B125
- IAPMO/UPC
- ADA Compliant 

Available finishes:

- CP = Polished Chrome
- BN = Brushed Nickel

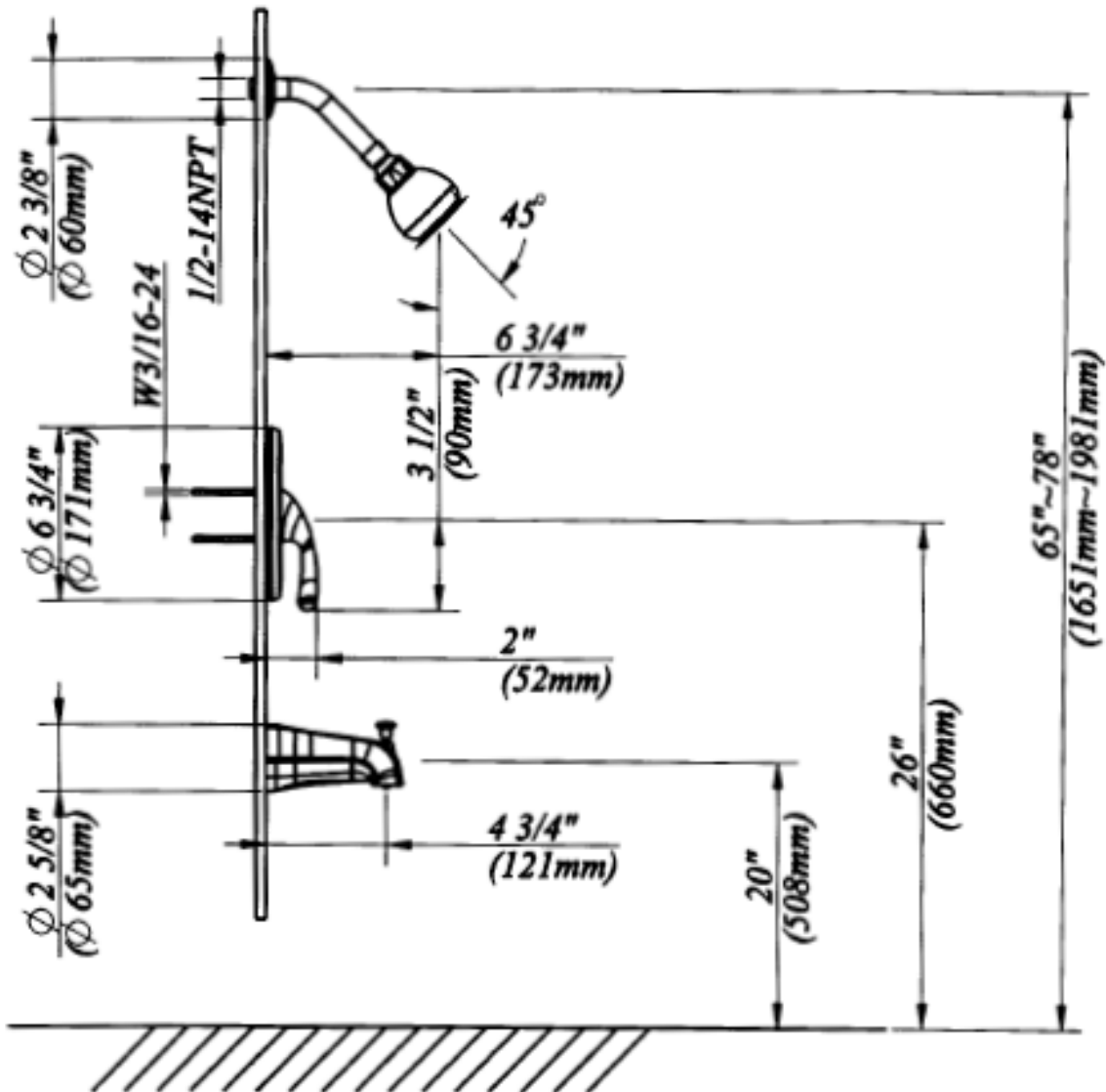
Specified model:

Model	Description	Finish
PRO5400	Single Handle Tub & Shower Trim Kit,	CP
PRO5400BN	Single Handle Tub & Shower Trim Kit,	BN

PRO5400
PRO5400BN



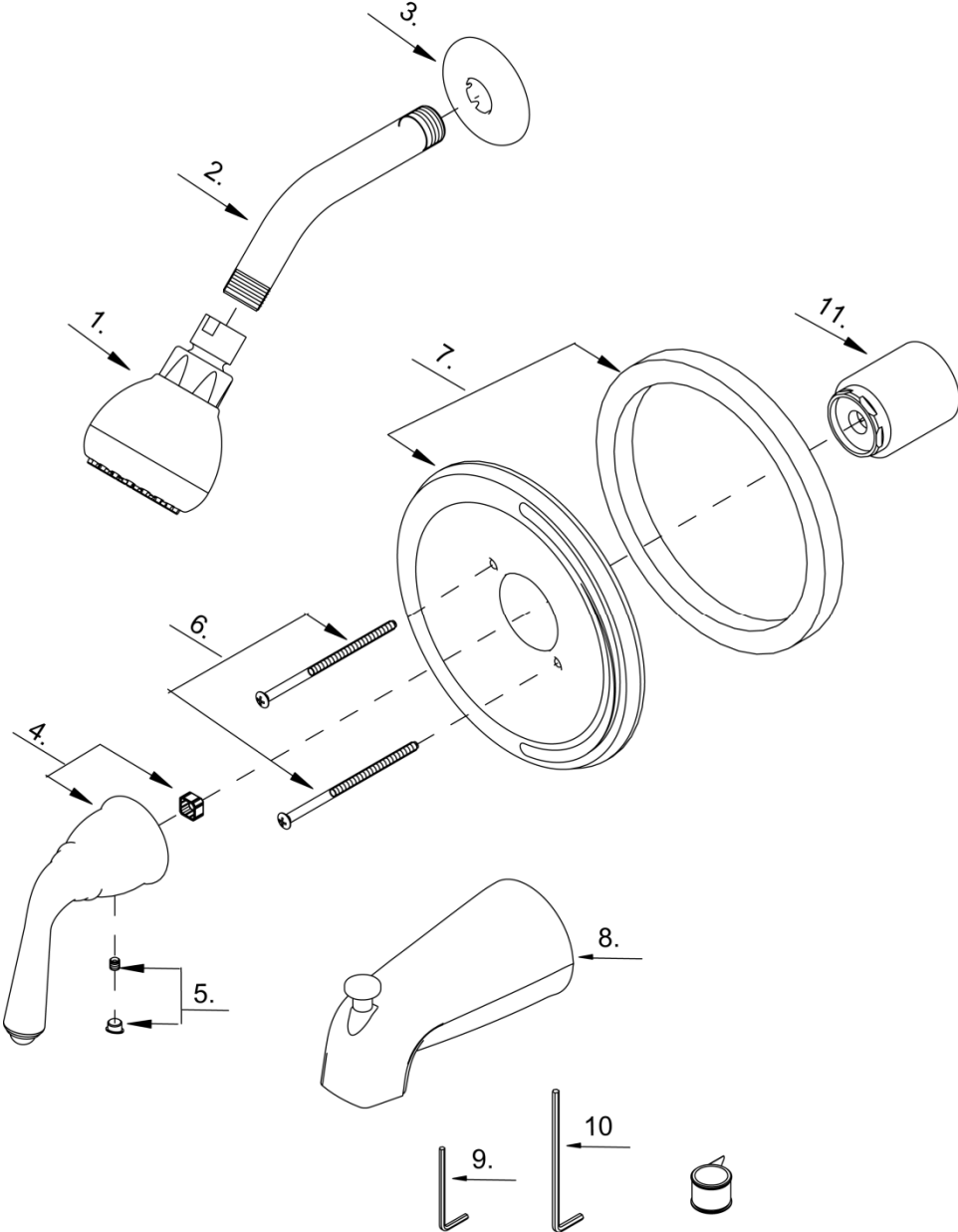
Product Specification Diagram



PRO5400
PRO5400BN



Exploded Drawing



**PRO5400
PRO5400BN**



Parts Listing

No.	Part Name	Part No.
1	Shower Head	S1211200
2	Flow Restrictor	A112727
3	Screen Washer	A112383
4	Shower Arm	A020002
5	Shower Arm Flange	A019001
6	Metal Handle	A029046
7	Screw (M5 * 6 mm L)	A008088
8	Index Button-Hot/Cold	A028065
9	Screw (3/16" -24 * 3" L)	A075212
10	Escutcheon	A006004-54
11	Escutcheon Seal	A060055
12	Hex Wrench (H2.5 * 19 mm L * 53 mm L)	A031000
13	Spout W/Diverter	A118011
14	Spout Sleeve Assembly	A603972
15	O-Ring (Φ 13/16" ID * Φ 1" OD)	A004518
16	O-Ring (Φ 9/16" ID * Φ 13/16" OD)	A004517
17	Screw(1/4" -20 UNC * 13/16" L)	A065081ZN
18	Sleeve (CP needn't)	A041509