

PRO5350 PRO5350BN



Single Handle Shower Trim Kit


Features:

- Solid brass/copper waterways
- 1 Setting plastic showerhead
- Metal showerarm and flange
- Metal lever handle
- 100% factory pressure tested



Applicable Standards/Codes:

Specified model meets or exceeds the following:

- ANSI/ASME A112.18.1
- CSA B125
- IAPMO/UPC
- ADA Compliant 

Available finishes:

- CP = Polished Chrome
- BN = Brushed Nickel

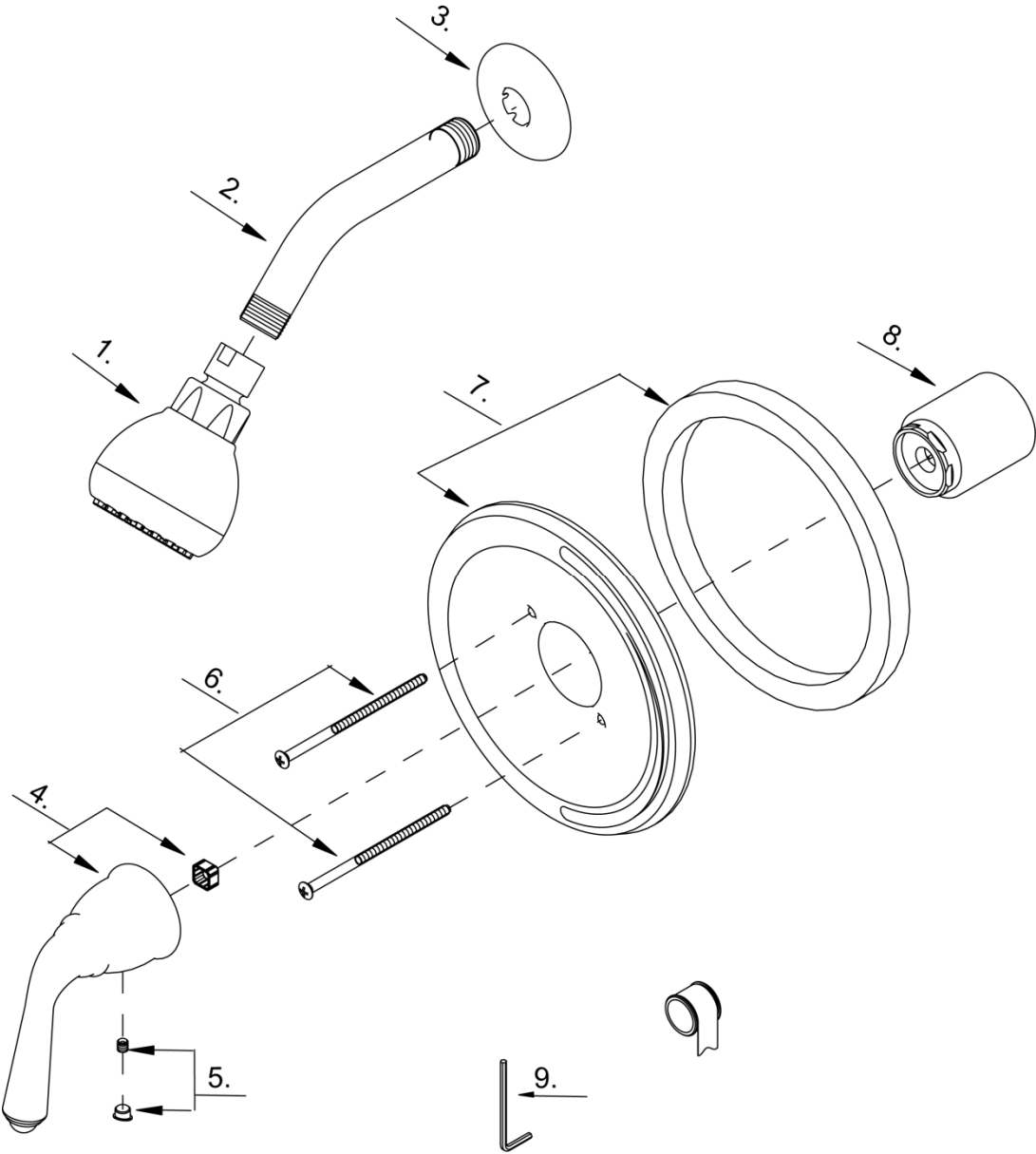
Specified model:

Model	Description	Finish
PRO5350	Single Handle Shower Trim Kit,	CP
PRO5350BN	Single Handle Shower Trim Kit,	BN

PRO5350
PRO5350BN



Exploded Drawing



PRO5350
PRO5350BN



Parts Listing

No.	Part Name	Part No.
1	Shower Head	S1211210
2	Shower Arm	A020002-S
3	Shower Arm Flange	A019001-S
4	Metal Handle Assembly	A66E689
5	Handle Cap	A66D568
6	Screw Set (3/16" -24 * 3-11/16" L)	A668047
7	Escutcheon Assembly	A667915-S
8	Hex Wrench(H2.5 * L * L)	A031000NI
9	Sleeve	A103322