

PRO5300 PRO5300BN



Single Handle Shower Trim Kit


Features:

- Solid brass/copper waterways
- 1 Setting plastic showerhead
- Metal showerarm and flange
- Metal lever handle
- 100% factory pressure tested



Applicable Standards/Codes:

Specified model meets or exceeds the following:

- ANSI/ASME A112.18.1
- CSA B125
- IAPMO/UPC
- ADA Compliant 

Available finishes:

- CP = Polished Chrome
- BN = Brushed Nickel

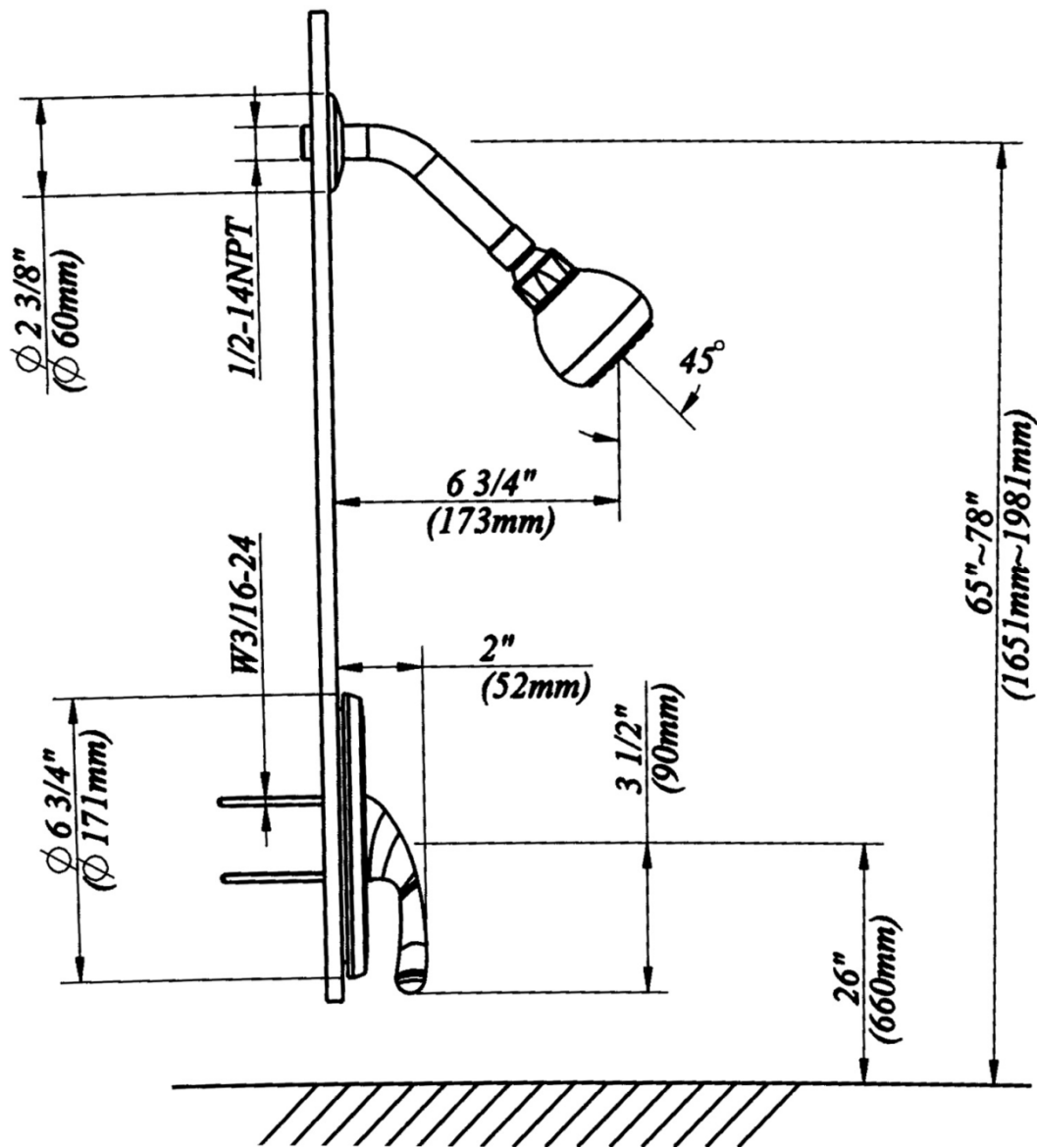
Specified model:

Model	Description	Finish
PRO5300	Single Handle Shower Trim Kit,	CP
PRO5300BN	Single Handle Shower Trim Kit,	BN

PRO5300
PRO5300BN



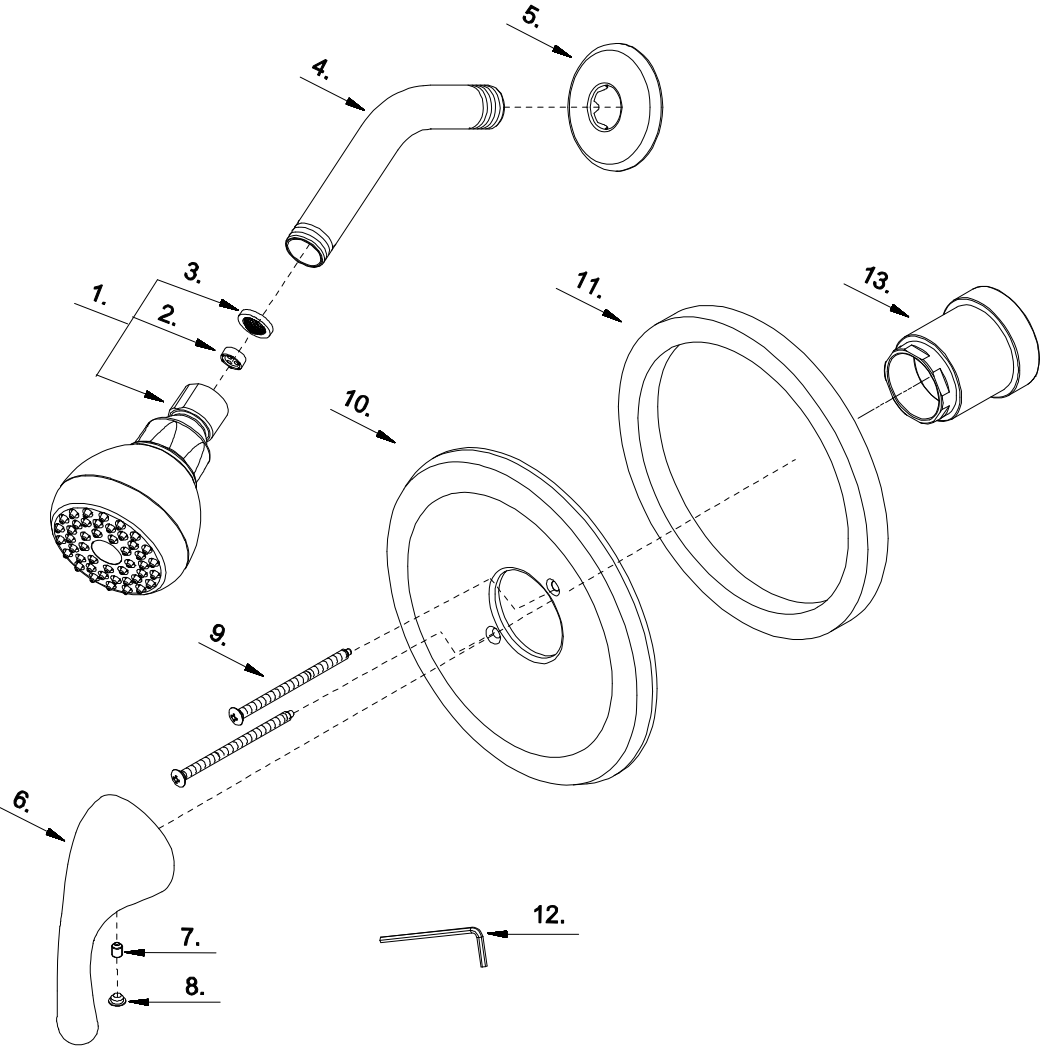
Product Specification Diagram



PRO5300
PRO5300BN



Exploded Drawing



PRO5300
PRO5300BN



Parts Listing

No.	Part Name	Part No.
1	Shower Head	S1211200
2	Flow Restrictor	A112727
3	Screen Washer	A112383
4	Shower Arm	A020002
5	Shower Arm Flange	A019001
6	Metal Handle	A029046
7	Screw (M5 * 6 mm L)	A008088
8	Index Button-Hot/Cold	A028065
9	Screw (3/16" -24 * 3" L)	A075212
10	Escutcheon	A006004-54
11	Escutcheon Seal	A060055
12	Hex Wrench (H2.5 * 19 mm L * 53 mm L)	A031000
13	Sleeve (CP need not)	A041509