

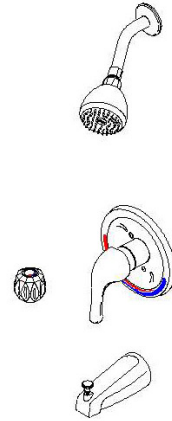


SINGLE HANDLE TUB & SHOWER FAUCET

PRO5200C

FEATURES:

- Solid brass waterway
- W/ball valve
- Metal handle with extra acrylic round handle
- Plastic shower set
- Slip-fit spout
- Max. flow rate: 2.2 GPM at 60 PSI
- ½" 14 NPS Inlet
- 100% ISO9001 certified factory pressure tested before shipment
- Integral stops



APPLICABLE STANDARDS/CODES:

Specified model meets or exceeds the following:

- ANSI/ASME A112.18.1
- CSA B125
- IAPMO/UPC
- ADA 

AVAILABLE FINISHES:

- CP = Polished Chrome

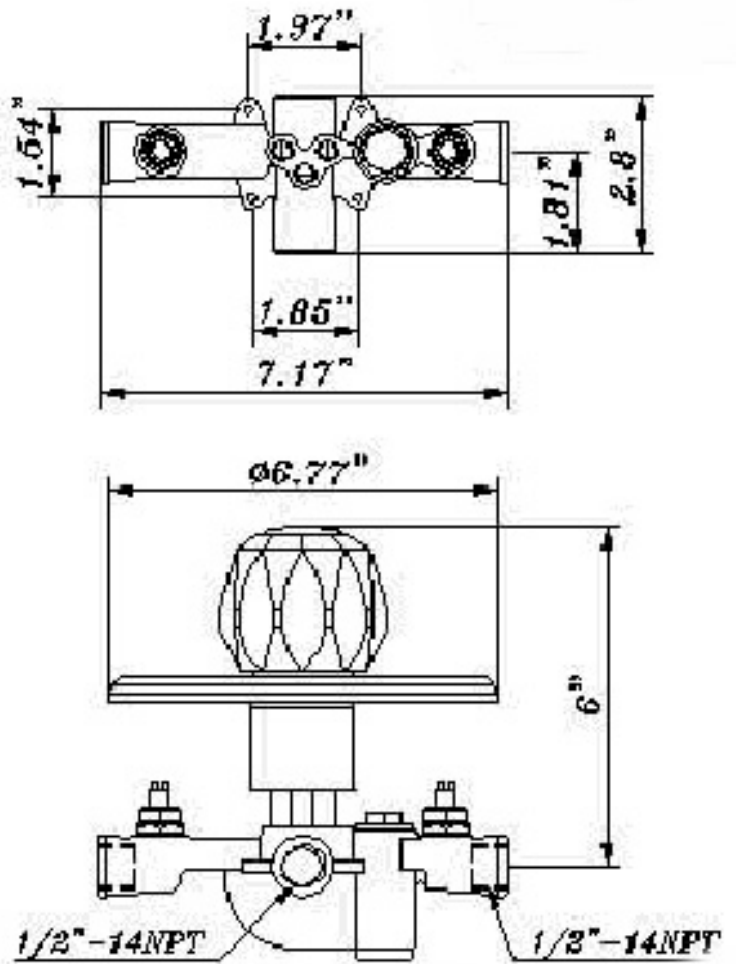
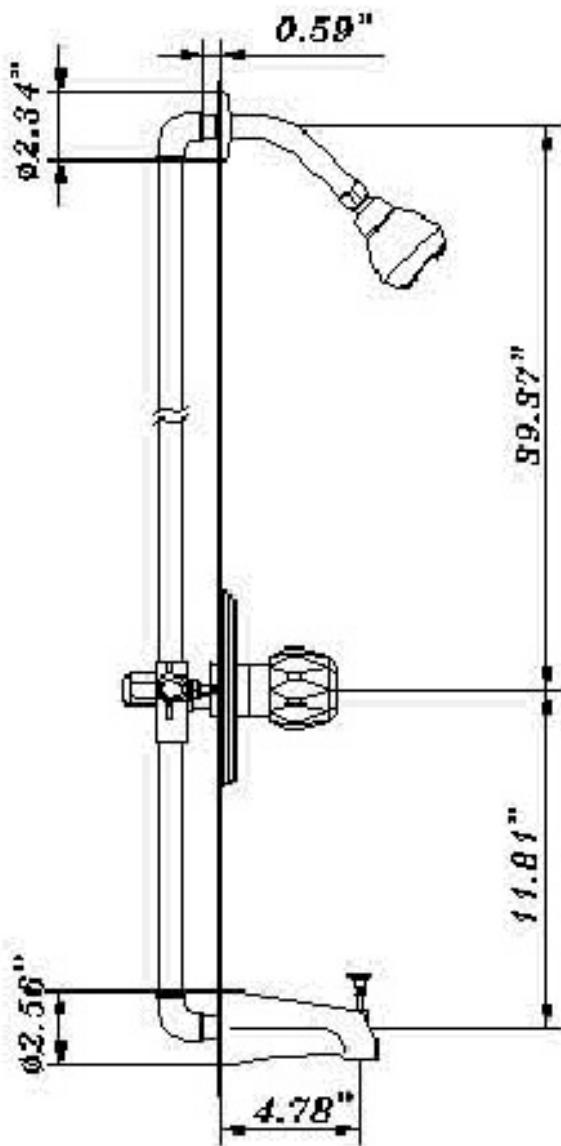
SPECIFIED MODEL:

Model	Description	Finish	
PRO5200	Pressure balance single handle tub & shower faucet.	CP	



PRO5200C

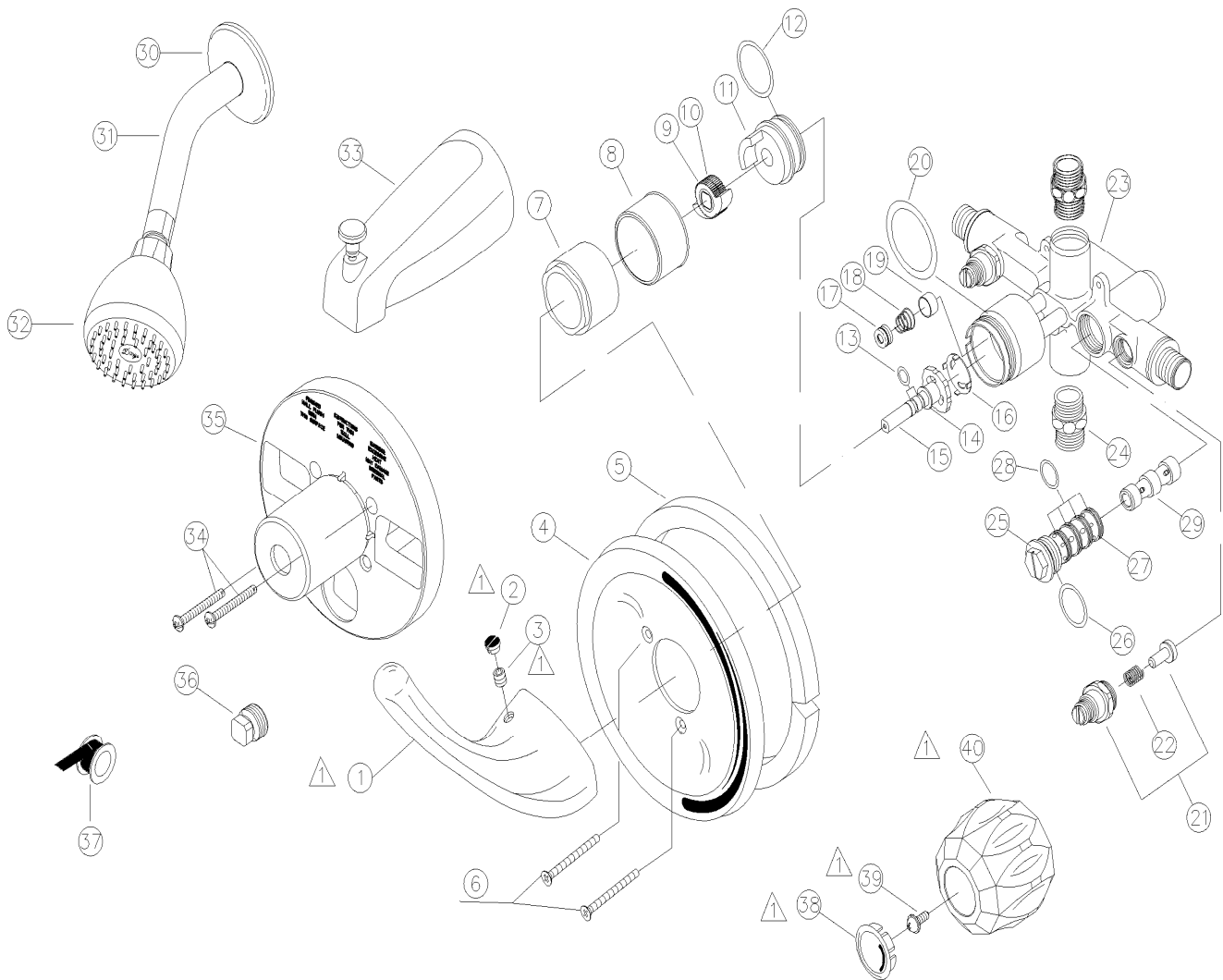
PRODUCT SPECIFICATION DIAGRAM





PRO5200C

EXPLODED DRAWING





PRO5200C

PARTS LISTING

No.	Name	Parts Name	Material	Q'ty
1	Handle	029046	Zinc	1
2	Insert	028065	Silica gel	1
3	screw	008088	SUS304	1
4	Escutchen	006004-54	H62	1
5	Seal	060055	EVA3540	1
6	Screws	075143	GBR-003	2
7	Retainer nut	103020	Zinc	1
8	Sleeve	217005	H62	1
9	Stopper	049000	POM	1
10	Temp.limiting device	049001	POM	1
11	Cartridge cover	214011	POM	1
12	O-RING	048016	NBR	1
13	O-RING	004118	NBR	2
14	O-RING	013050	SUS304	1
15	Cartridge	024112		1
16	Stainless steel flake	308006	SUS304	1
17	Stops	101036	NBR	2
18	Spring	005000	SUS304	2
19	S.S. Valve	106001	SUS304	2
20	O-RING	004008	NBR	1
21	Check Valve	507037		2
22	Spring	005006	SUS304	2
23	Body assembly	044161		1
24	Connection	007034	GBR-003	2
25	Nut	009094	GBR-003	1
26	O-RING	048025	NBR	1
27	Cartridge shell	214015	SUS304	1
28	O-RING	048024	NBR	4
29	S.S. Valve	208041	SUS304	1
30	Flange	019001	H62	1
31	Shower arm	020002	GBR-004	1
32	Shower head	S1211200		1
33	Spout	118011	Zinc	1
34	Screw	008115	SUS302	2
35	Plaster guard	127006	ABS	1
36	Connection	028004	GBR-003	1
37	Pipe tape	203000		1
38	Cap	206073	PC+aluminum	1
39	Screw	008000	SUS304	1
40	Handle	029073	PC	1