

PRO5000



Rough-In Valve

Features:

- Ceramic Disc Cartridge
- With Stops
- IPS and Sweat Connections
- 100% factory pressure tested



Applicable Standards/Codes:

Specified model meets or exceeds the following:

- ANSI/ASME A112.18.1

Available finishes:

- CP = Polished Chrome

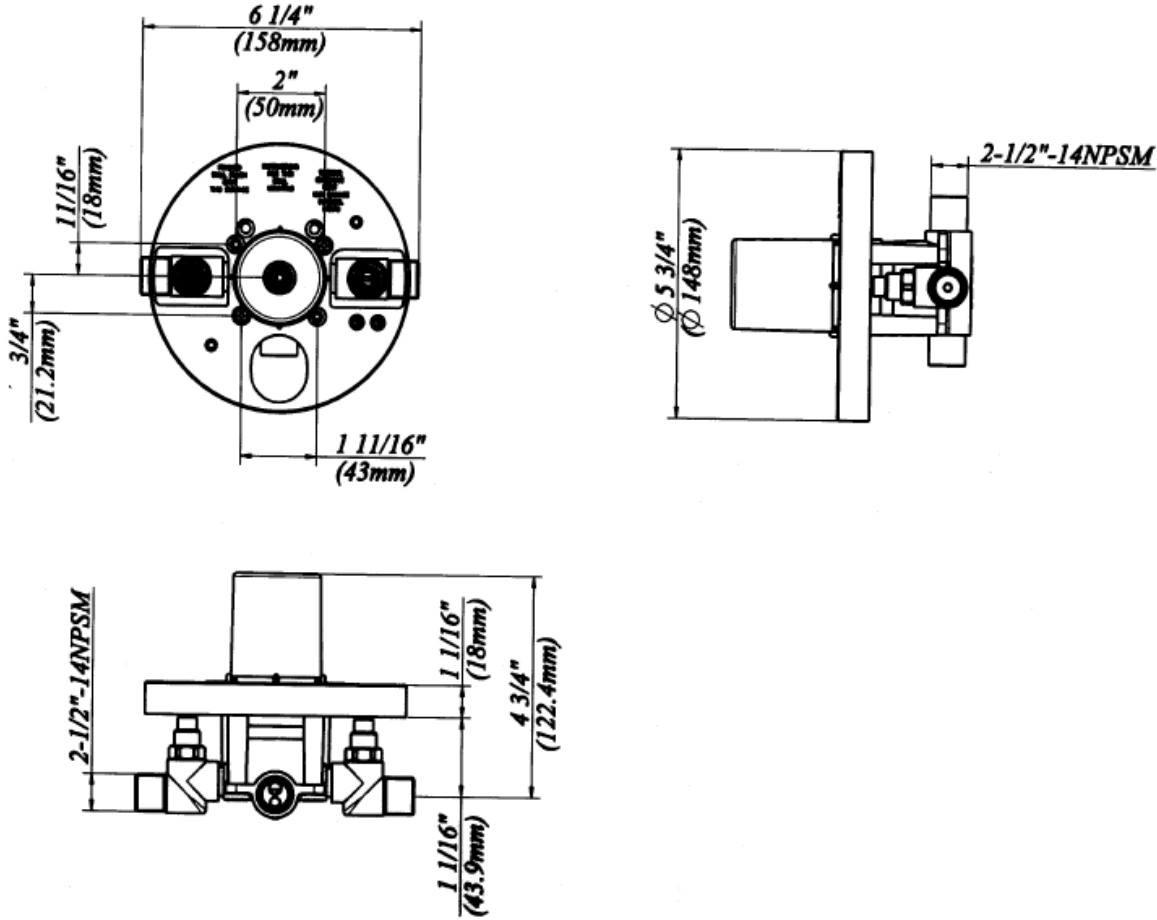
Specified model:

Model	Description	Finish
PRO5000	Rough-in valve	CP

PRO5000

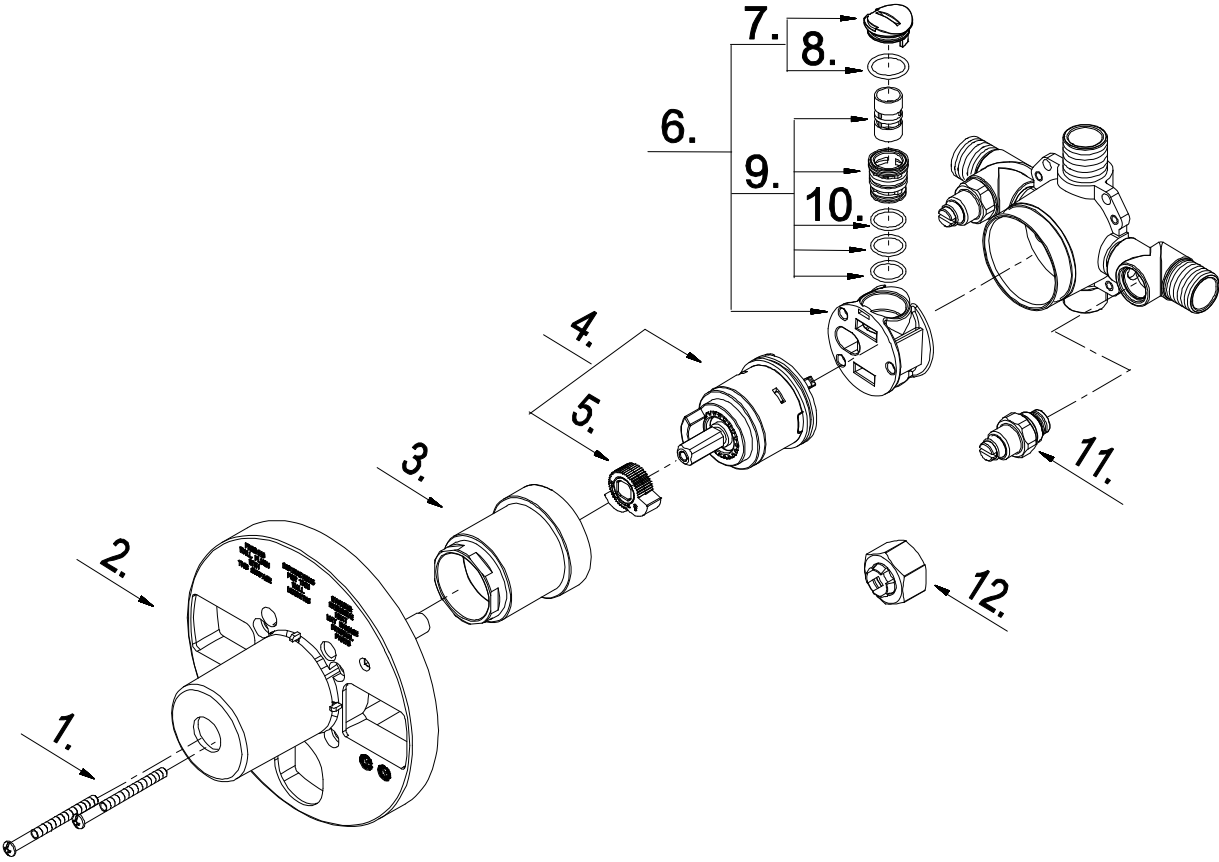


Product Specification Diagram





Exploded Drawing



PRO5000



Parts Listing

NO.	Part Name.	Part No.
1	Screw (3/16" -24 * 2-3/16" L)	A008241
2	Plaster Guard	A127008
3	Sleeve	A041509
4	Ceramic Disc Cartridge Assembly	A507127
5	Temperature Limiting Device	A603570
6	Pressure Balancing Insert	A034275
7	Cap	A603632
8	O-Ring (Φ 5/8" ID * Φ 3/4" OD)	A004015
9	Piston & Cylinder Assembly	A208256
10	O-Ring(Φ 9/16" ID * Φ 5/8" OD)	A048026
11	Check Valve	A663987
12	Plug	A028452