

PRO4300 PRO4300SS



8" Single Handle Kitchen Faucet

Features:

- Solid brass/copper waterways
- Fits 8" center hole
- Ceramic Disc cartridge
- ½" 14 NPSM Inlet
- Metal lever handle
- 100% factory pressure tested



Applicable Standards/Codes:

Specified model meets or exceeds the following:

- ANSI/ASME A112.18.1
- CSA B125
- ANSI/NSF 61 – Sec. 9
- IAPMO/UPC/AB1953
- ADA Compliant 

Available finishes:

- CP = Polished Chrome
- BN = Brushed Nickel

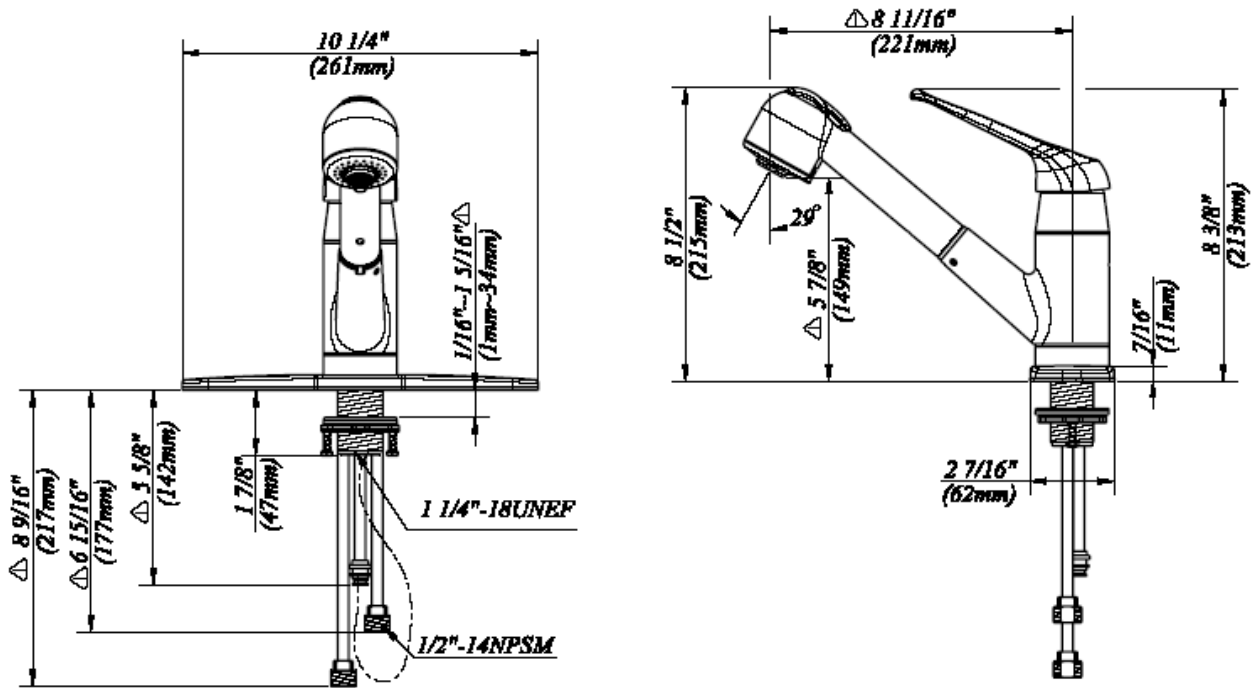
Specified model:

Model	Description	Finish
PRO4300	8"single handle kitchen Faucet,	CP
PRO4300SS	8"single handle kitchen Faucet,	BN

PRO4300 PRO4300SS



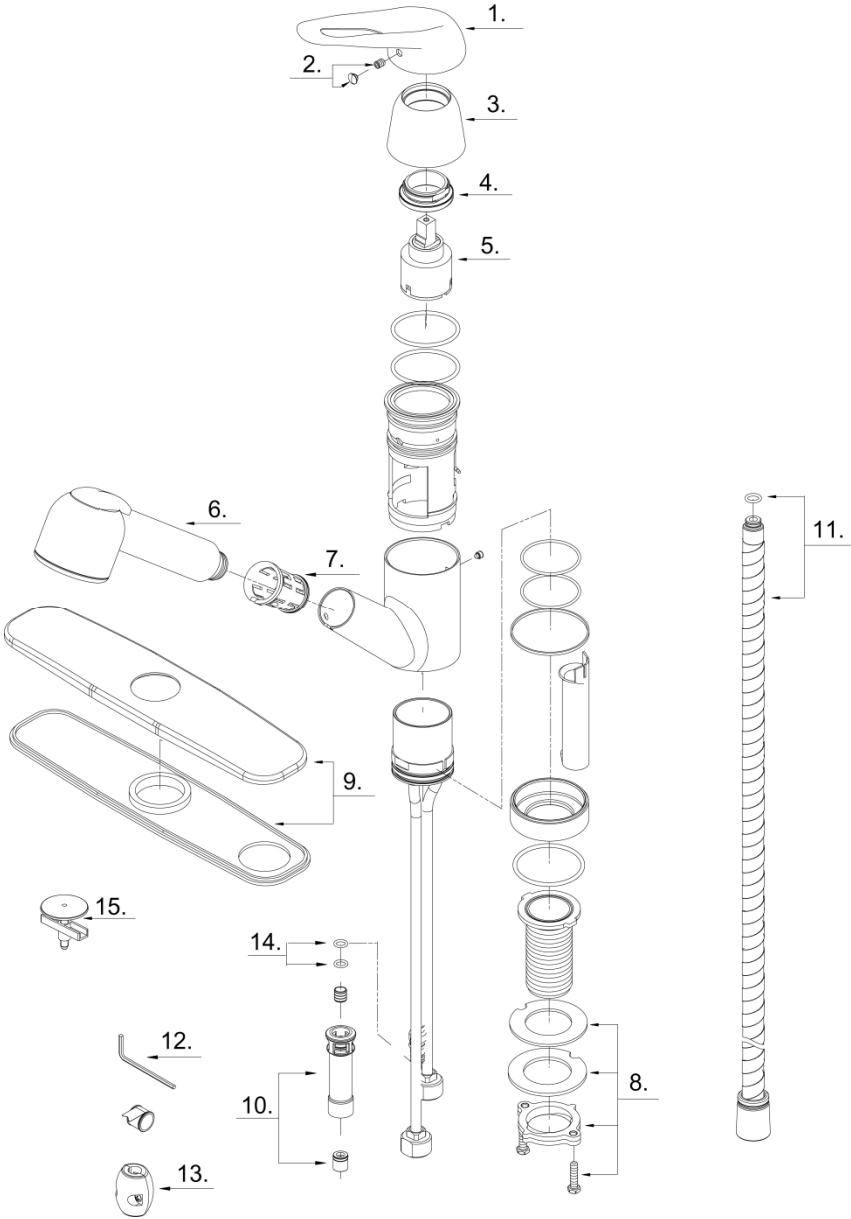
Product Specification Diagram



**PRO4300
PRO4300SS**



Exploded Drawing



PRO4300
PRO4300SS



Parts Listing

No.	Part Name	Part No.
1	Metal Handle	A069019
2	Index Button-Cold/Hot	A66D569
3	Trim Cap	A103037
4	Locking Nut	A104008
5	Ceramic Disc Cartridge	A507348N
6	Spray Head	A523036N
7	Hose Guide	A126003KP
8	Mounting Hardware Assembly	A603171
9	Cover Plate & Putty Plate	A667003
10	Hose Adaptor Assembly	A422N
11	Spray Hose	A66D561N
12	Hex Wrench(H2.5 * L * L)	A031000NI
13	Weight	A504718
14	O-Ring Set(Φ 1/4" ID * Φ 3/8" OD)	A668178N
15	Sink Hole Cover	A504724