

PRO4200



8" Two Handle Kitchen Faucet


Features:

- Solid brass/copper waterways
- Fits 8" center hole
- Ceramic Disc cartridge
- ½" 14 NPSM Inlet
- Metal lever handle
- Matching finish sprayer
- 100% factory pressure tested



Applicable Standards/Codes:

Specified model meets or exceeds the following:

- ANSI/ASME A112.18.1
- CSA B125
- ANSI/NSF 61 – Sec. 9
- IAPMO/UPC/AB1953
- ADA Compliant 

Available finishes:

- CP = Polished Chrome

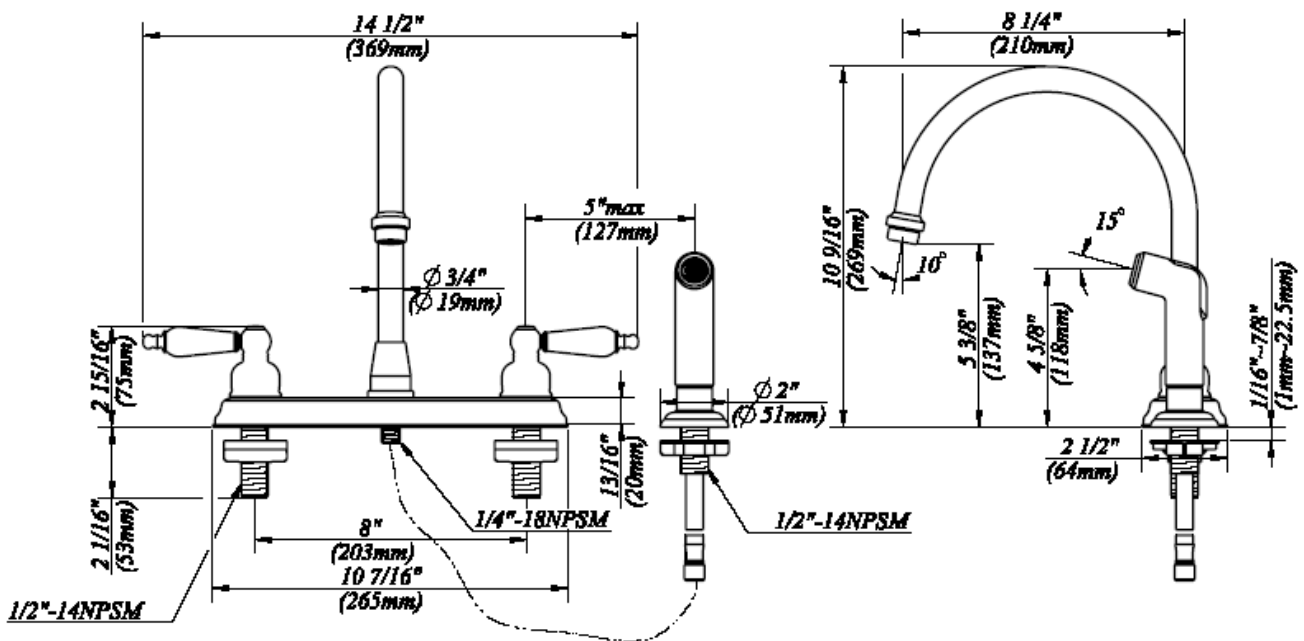
Specified model:

| Model | Description | Finish |
|---------|-------------------------------|--------|
| PRO4200 | 8" two handle kitchen Faucet, | CP |

PRO4200

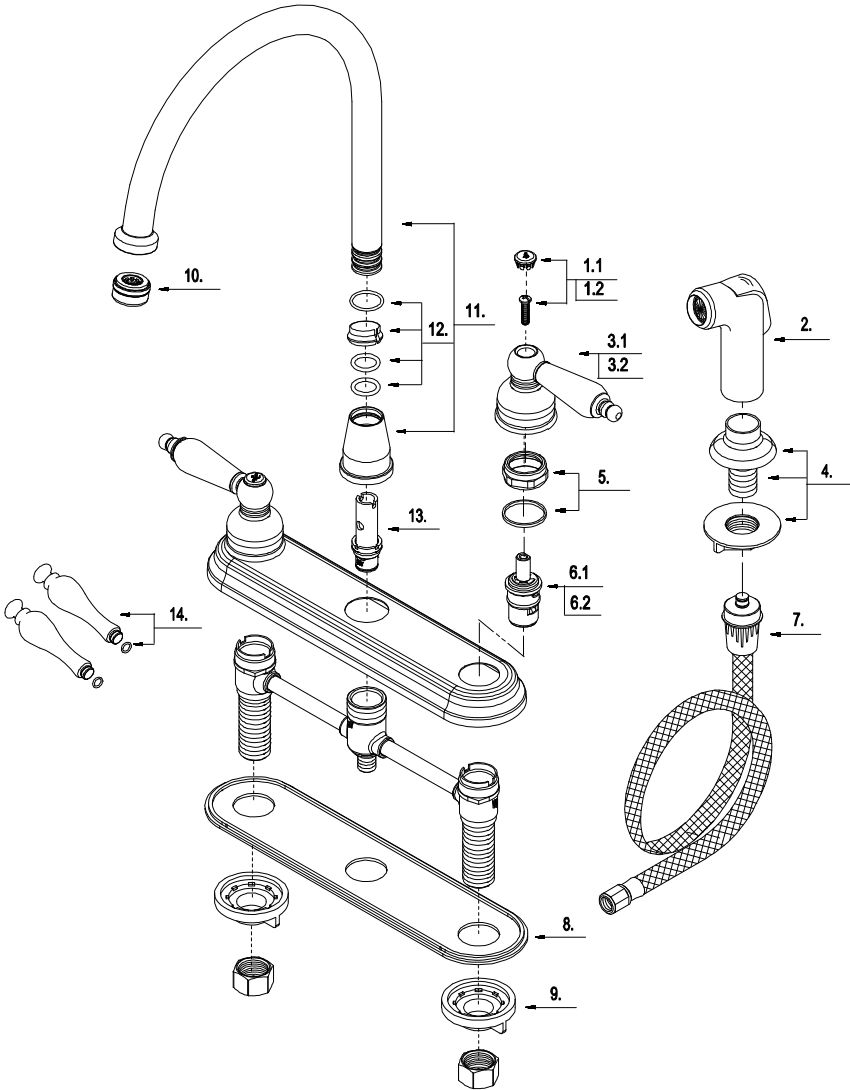


Product Specification Diagram





Exploded Drawing





Parts Listing

| No. | Part Name | Part No. |
|------|---------------------------------|----------|
| 1-a. | Index Button-Cold | A66D621C |
| 1-b. | Index Button-Hot | A66D621H |
| 2 | Side Spray | A503002N |
| 3-a. | Porcelain Handle Assembly-Cold | A602612C |
| 3-b. | Porcelain Handle Assembly-Hot | A602612H |
| 4 | Spray Holder Assembly(2-1/2" L) | A504042 |
| 5 | Retainer Nut & Washer | A66D642 |
| 6-a | Ceramic Disc Cartridge-Cold | A507102N |
| 6-b | Ceramic Disc Cartridge-Hot | A507101N |
| 7 | Spray Hose | A511000N |
| 8 | Putty plate | A011003 |
| 9 | Lock Nut Set | A504023 |
| 10 | Aerator | A500548N |
| 11 | Spout Assembly | A666125N |
| 12 | Spout Seal Kit | A66D159 |
| 13 | Spray Diverter w/Vacuum Breaker | A501013N |
| 14 | Metal Handle Insert | A66E260 |