

PRO4110



8" Two Handle Kitchen Faucet

Features:

- Solid brass/copper waterways
- Fits 8" center hole
- Ceramic Disc cartridge
- ½" 14 NPSM Inlet
- Acrylic round handle
- Matching finish sprayer
- 100% factory pressure tested



Applicable Standards/Codes:

Specified model meets or exceeds the following:

- ANSI/ASME A112.18.1
- CSA B125
- ANSI/NSF 61 – Sec. 9
- IAPMO/UPC/AB1953

Available finishes:

- CP = Polished Chrome

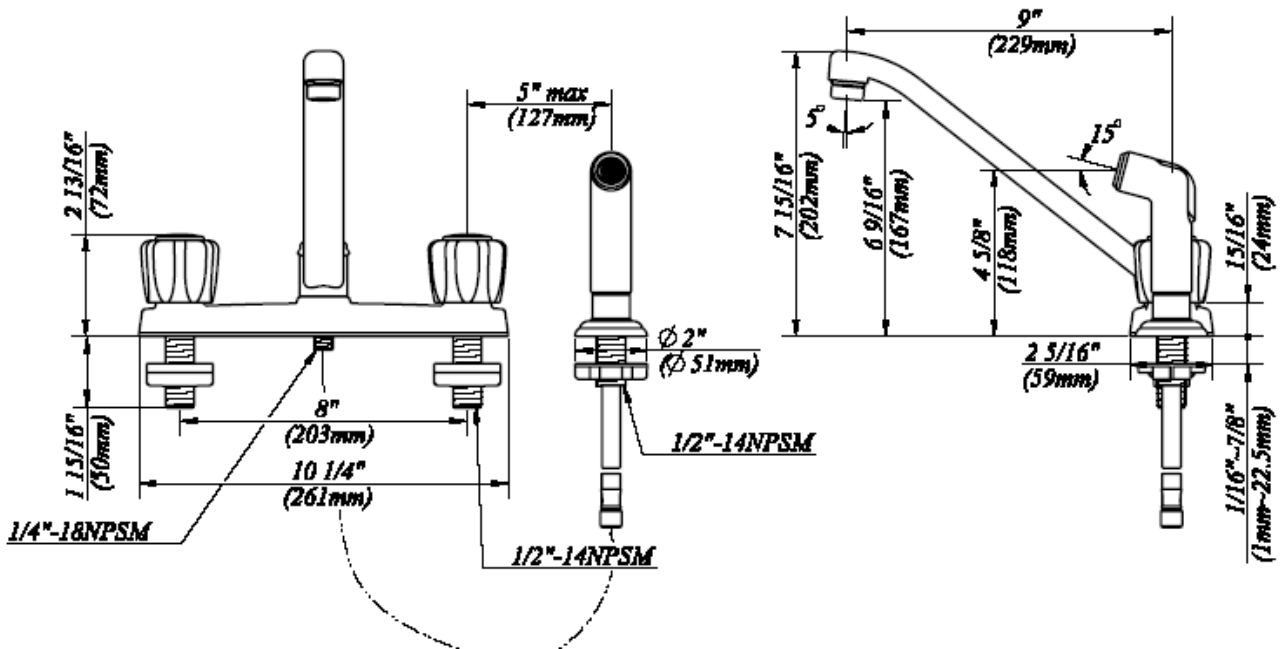
Specified model:

Model	Description	Finish
PRO4110	8" two handle kitchen Faucet,	CP

PRO4110

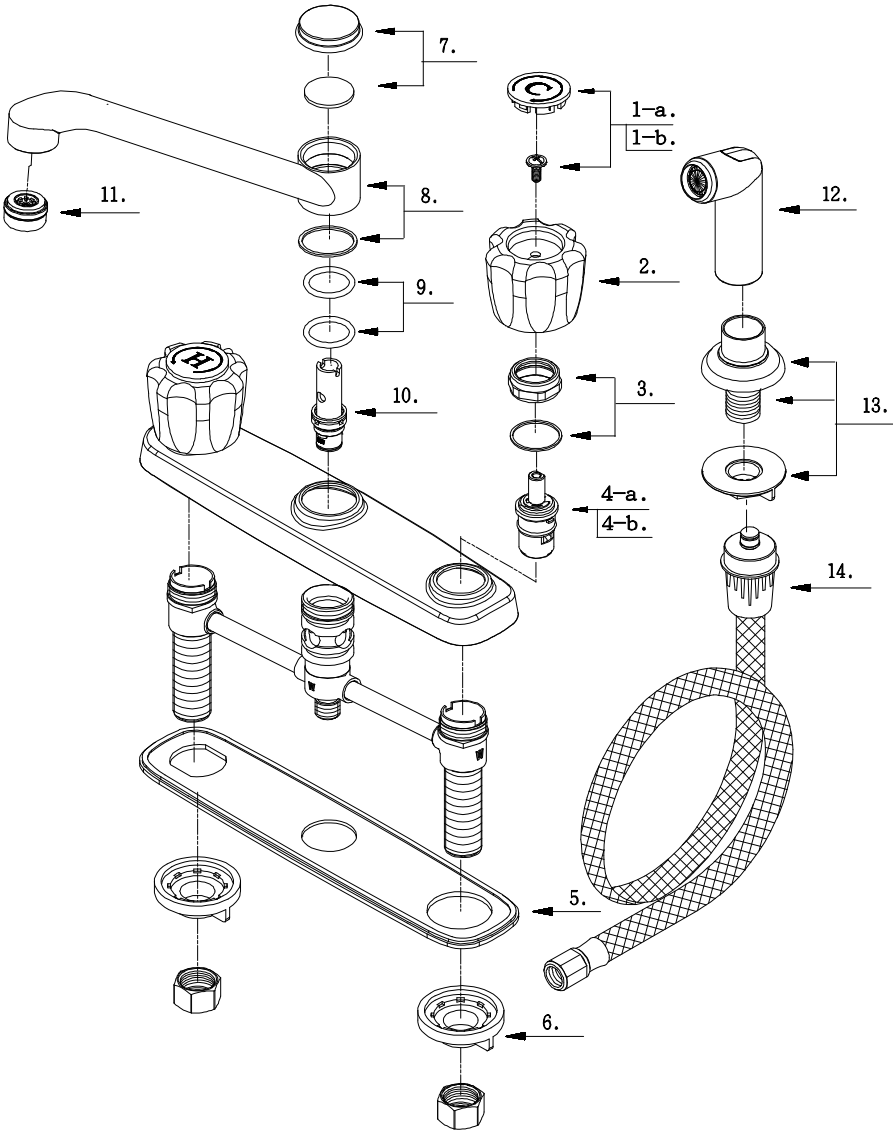


Product Specification Diagram





Exploded Drawing





Parts Listing

No.	Part Name	Part No.
1-a	Index Button-Cold	A66D687C
1-b	Index Button-Hot	A66D565H
2	Acrylic handle	A029001
3	Retainer Nut & Washer	A66D639
4-a	Ceramic Disc Cartridge-Cold	A507102N
4-b	Ceramic Disc Cartridge-Hot	A507101N
5	Putty Plate	A011306
6	Lock Nut Set	A504023
7	Spout Trim Cap	A603571
8	Spout Set	A606051W
9	O-Ring Set(Φ 7/8" ID * Φ 1-1/8" OD)	A668000N
10	Diverter w/Vacuum Breaker	A501013N
11	Aerator	A500548N
12	Side Spray	A503002N
13	Spray Holder Assembly(2-1/2" L)	A504042
14	Spray Hose	A511000N