

PRO3150 PRO3150BN



8" Single Handle Kitchen Faucet

Features:

- Solid brass/copper waterways
- Fits 8" center hole
- Ceramic Disc cartridge
- ½" 14 NPSM Inlet
- Metal lever handle
- Matching finish sprayer
- 100% factory pressure tested



Applicable Standards/Codes:

Specified model meets or exceeds the following:

- ANSI/ASME A112.18.1
- CSA B125
- ANSI/NSF 61 – Sec. 9
- IAPMO/UPC/AB1953
- ADA Compliant 

Available finishes:

- CP = Polished Chrome
- BN = Brushed Nickel

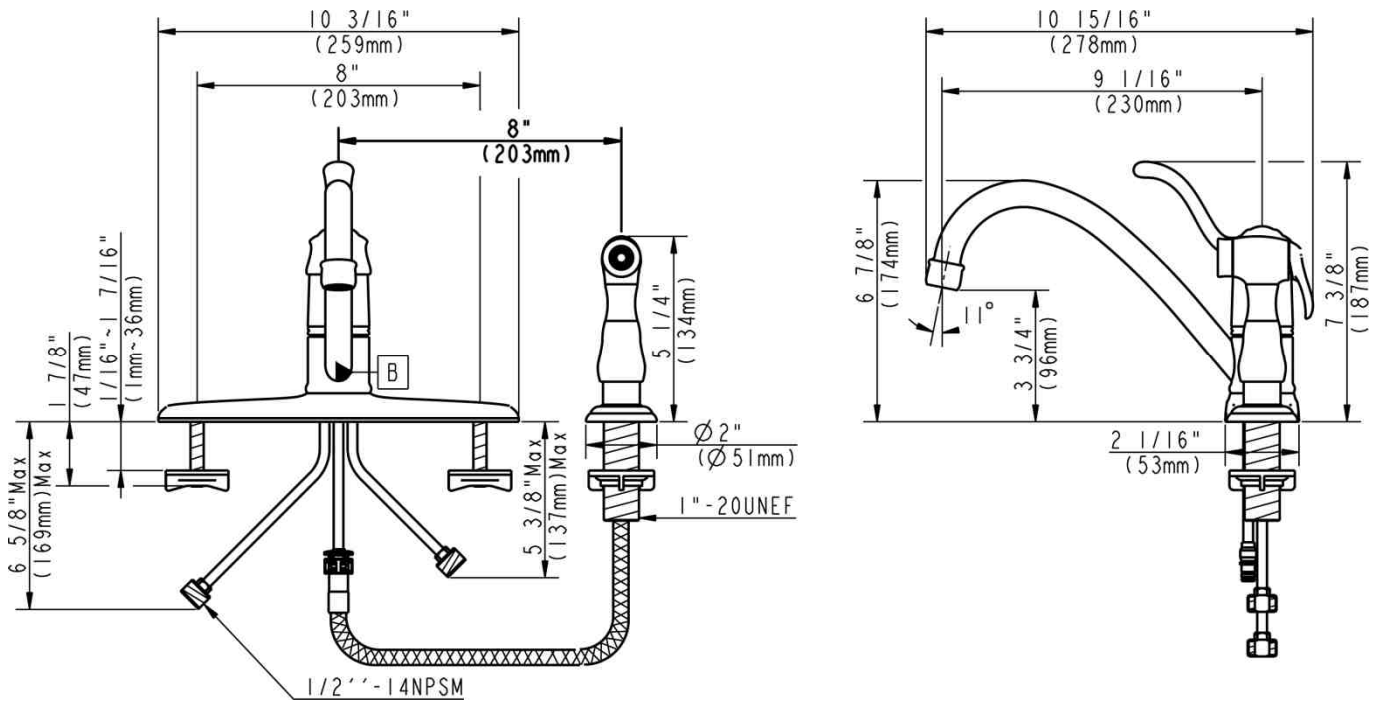
Specified model:

Model	Description	Finish
PRO3150	8"single handle kitchen Faucet,	CP
PRO3150BN	8"single handle kitchen Faucet,	BN

**PRO3150
PRO3150BN**



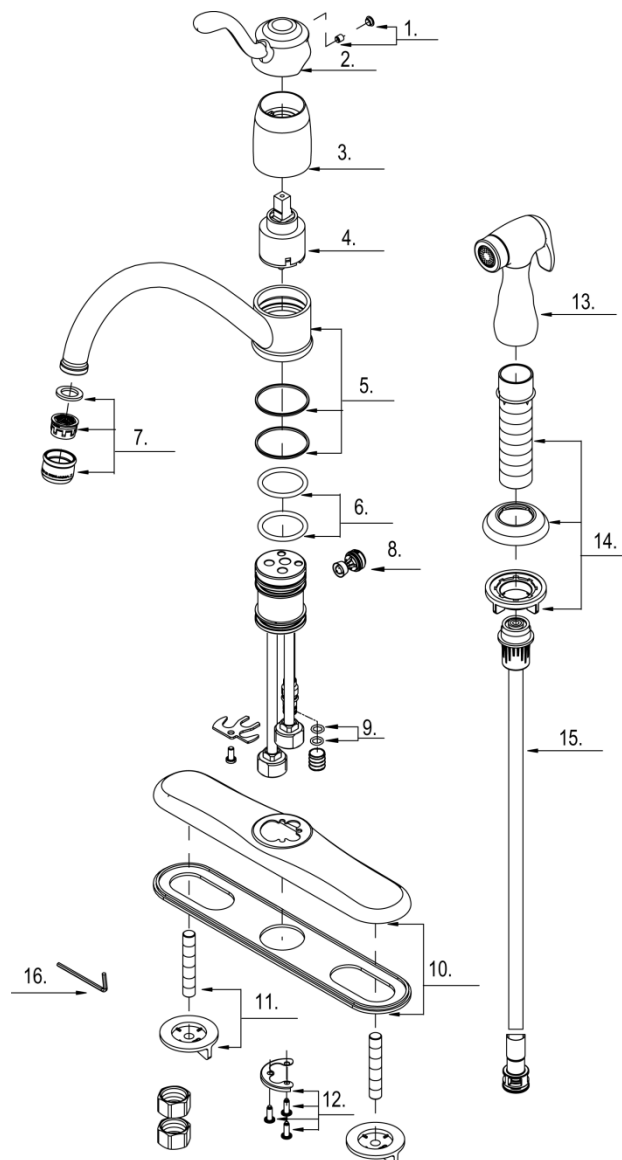
Product Specification Diagram



PRO3150 PRO3150BN



Exploded Drawing



PRO3150
PRO3150BN



Parts Listing

No.	Part Name	Part No.
1	Handle Cap	A66D558
2	Metal Handle	A069273
3	Trim Cap	A103049
4	Ceramic Disc Cartridge	A507348N
5	Spout Assembly	A666967N
6	O-Ring Set ($\Phi 1-1/4$ " ID * $\Phi 1-1/2$ " OD)	A608220
7	Aerator	A500146N-54
8	Spray Diverter w/Vacuum Breaker	A501374N
9	O-Ring Set ($\Phi 1/4$ " ID * $\Phi 3/8$ " OD)	A668178N
10	Cover Plate & Putty Plate	A551
11	Mounting Kit	A663125
12	Mounting Hardware	A663226
13	Side Spray	A503143W
14	Spray Holder Assembly(2-1/2" L)	A664250-P
15	Spray Hose	A512139N
16	Hex Wrench(H2.5 * L * L)	A031000NI