

PRO3100IPS



8" Single Handle Kitchen Faucet

Features:

- Solid brass/copper waterways
- Fits 8" center hole
- Ceramic Disc cartridge
- ½" 14 NPSM Inlet
- Metal lever handle
- Matching finish sprayer
- 100% factory pressure tested



Applicable Standards/Codes:

Specified model meets or exceeds the following:

- ANSI/ASME A112.18.1
- CSA B125
- ANSI/NSF 61 – Sec. 9
- IAPMO/UPC/AB1953
- ADA Compliant 

Available finishes:

- CP = Polished Chrome

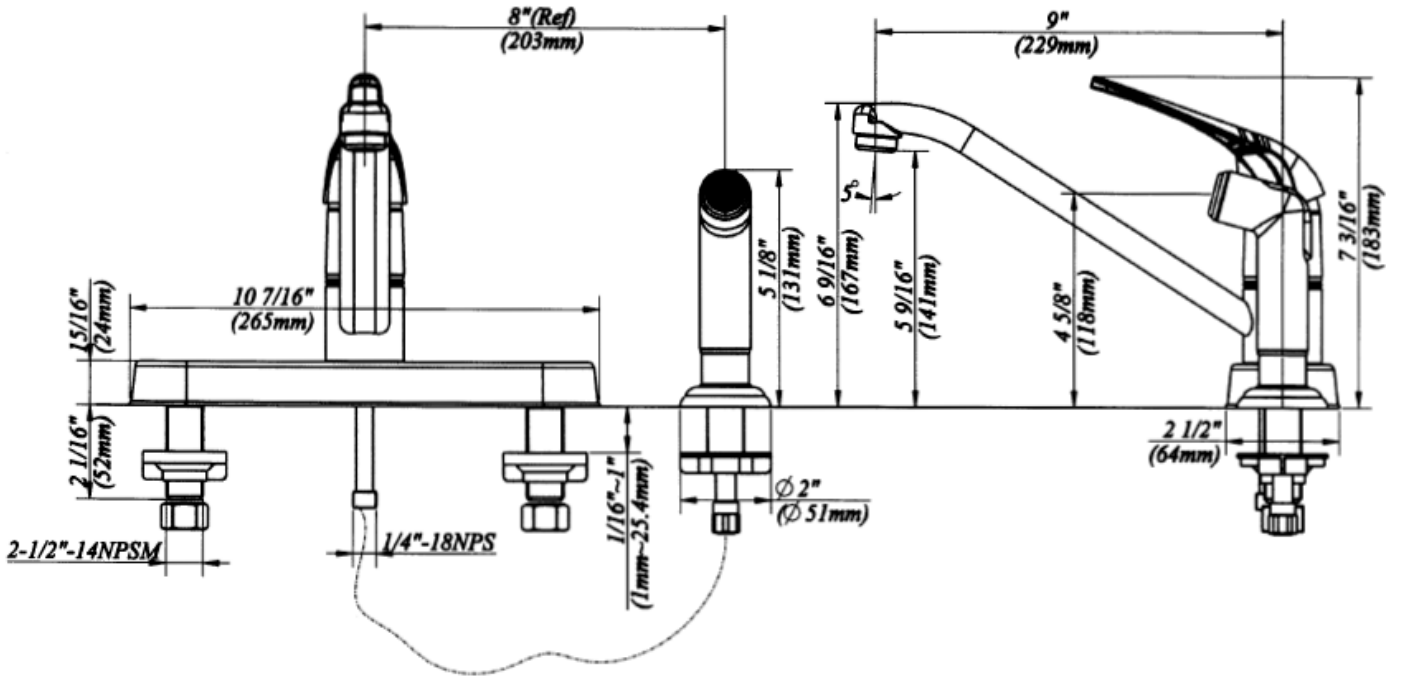
Specified model:

Model	Description	Finish
PRO3100IPS	8" single handle kitchen Faucet,	CP

PRO3100IPS

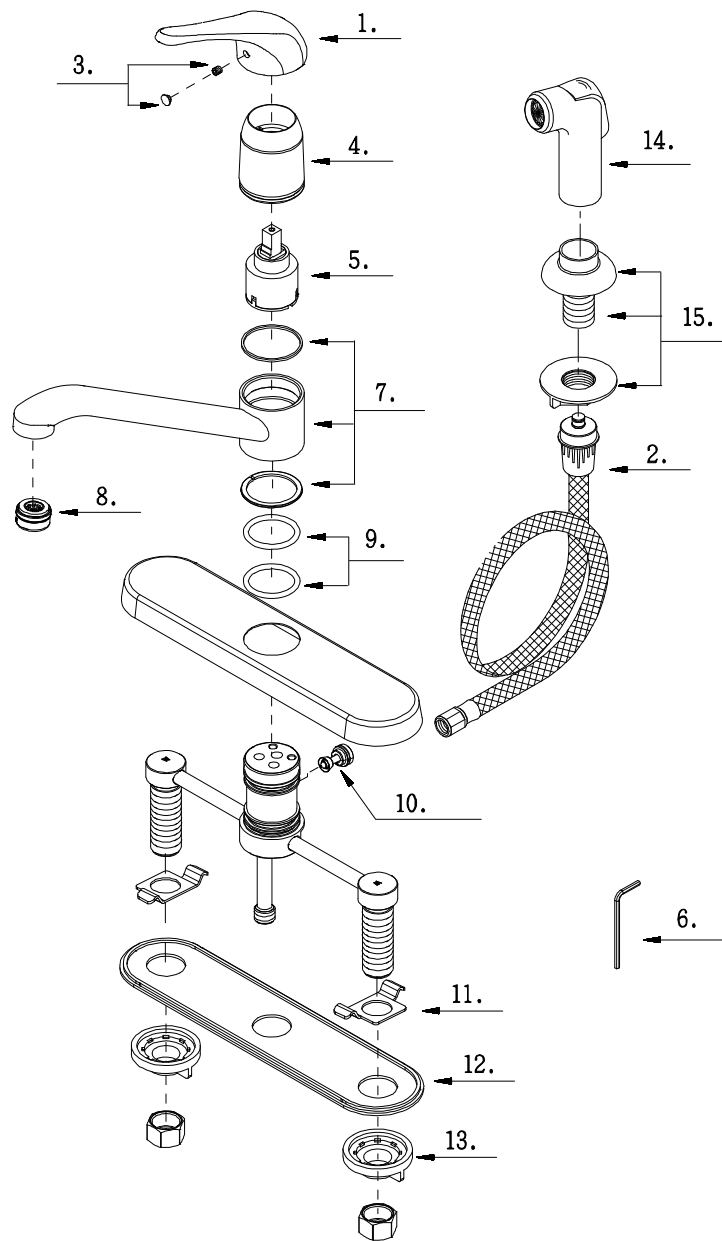


Product Specification Diagram





Exploded Drawing



PRO3100IPS



Parts Listing

No.	Part Name	Part No.
1	Metal Handle	A029075
2	Spray Hose	A511000N
3	Index Button-Cold/Hot	A66D569
4	Trim Cap	A103133
5	Ceramic Disc Cartridge	A507348N
6	Hex Wrench(H2.5 * 19 mm L * 53 mm L)	A031000NI
7	Spout Set	A666278W
8	Aerator	A500548N
9	O-Ring Set(Φ 1-1/4" ID * Φ 1-1/2" OD)	A608220
10	Spray Diverter w/Vacuum Breaker	A501011W
11	Washer	A120261ZN
12	Putty Plate	A011003
13	Lock Nut Set	A504023
14	Side Spray	A503002N
15	Spray Holder Assembly (2-1/2" L)	A504042