

# PRO2650 PRO2650BN



## 6-12 " Two Handle Widespread Lavatory Faucet


### Features:

- Solid brass/copper waterways
- 6"- 12"center hole
- Ceramic Disc cartridge
- ½" 14 NPSM Inlet
- Metal lever handle
- *Brass pop-up*
- 100% factory pressure tested



### Applicable Standards/Codes:

Specified model meets or exceeds the following:

- ANSI/ASME A112.18.1
- CSA B125
- ANSI/NSF 61 – Sec. 9
- IAPMO/UPC/AB1953
- ADA Compliant 

### Available finishes:

- CP = Polished Chrome
- BN = Brushed Nickel

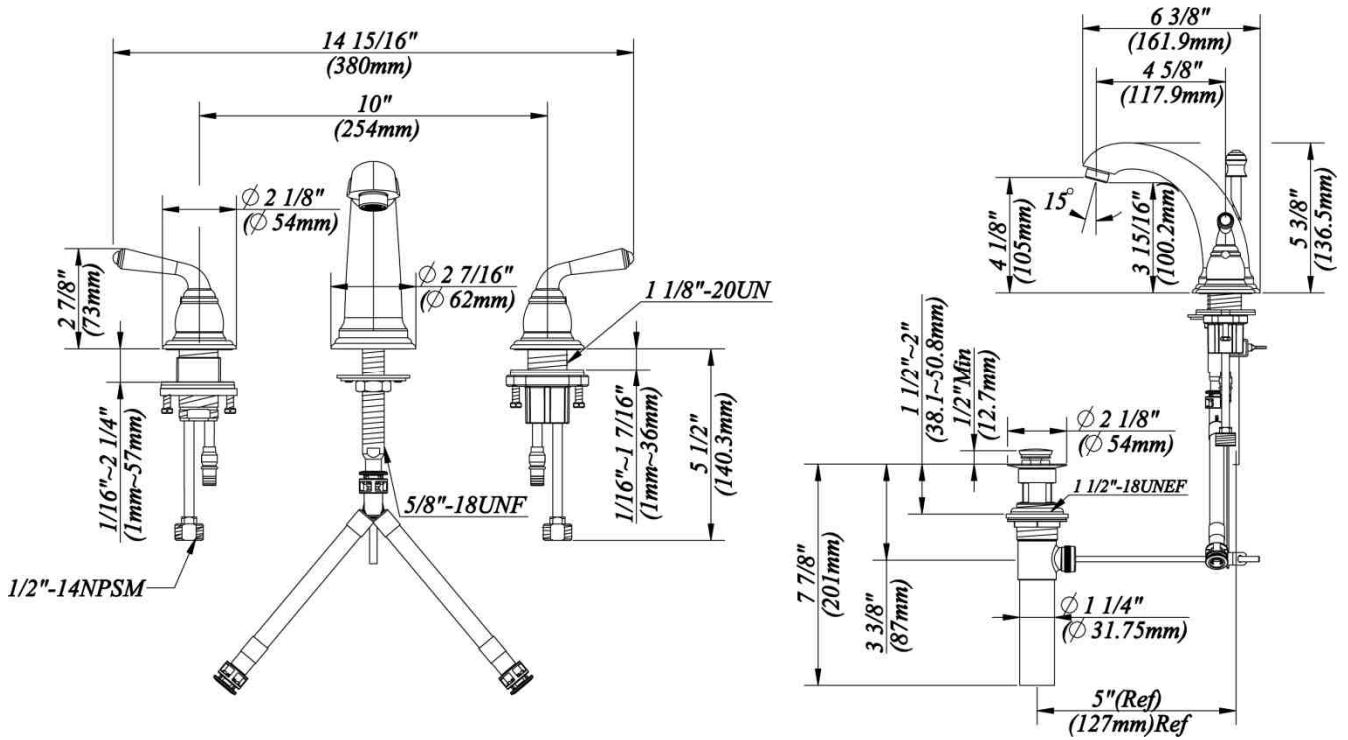
### Specified model:

Model	Description	Finish
PRO2650	6"-12"two handle lavatory Faucet,	CP
PRO2650BN	6"-12"two handle lavatory Faucet,	BN

**PRO2650  
PRO2650BN**



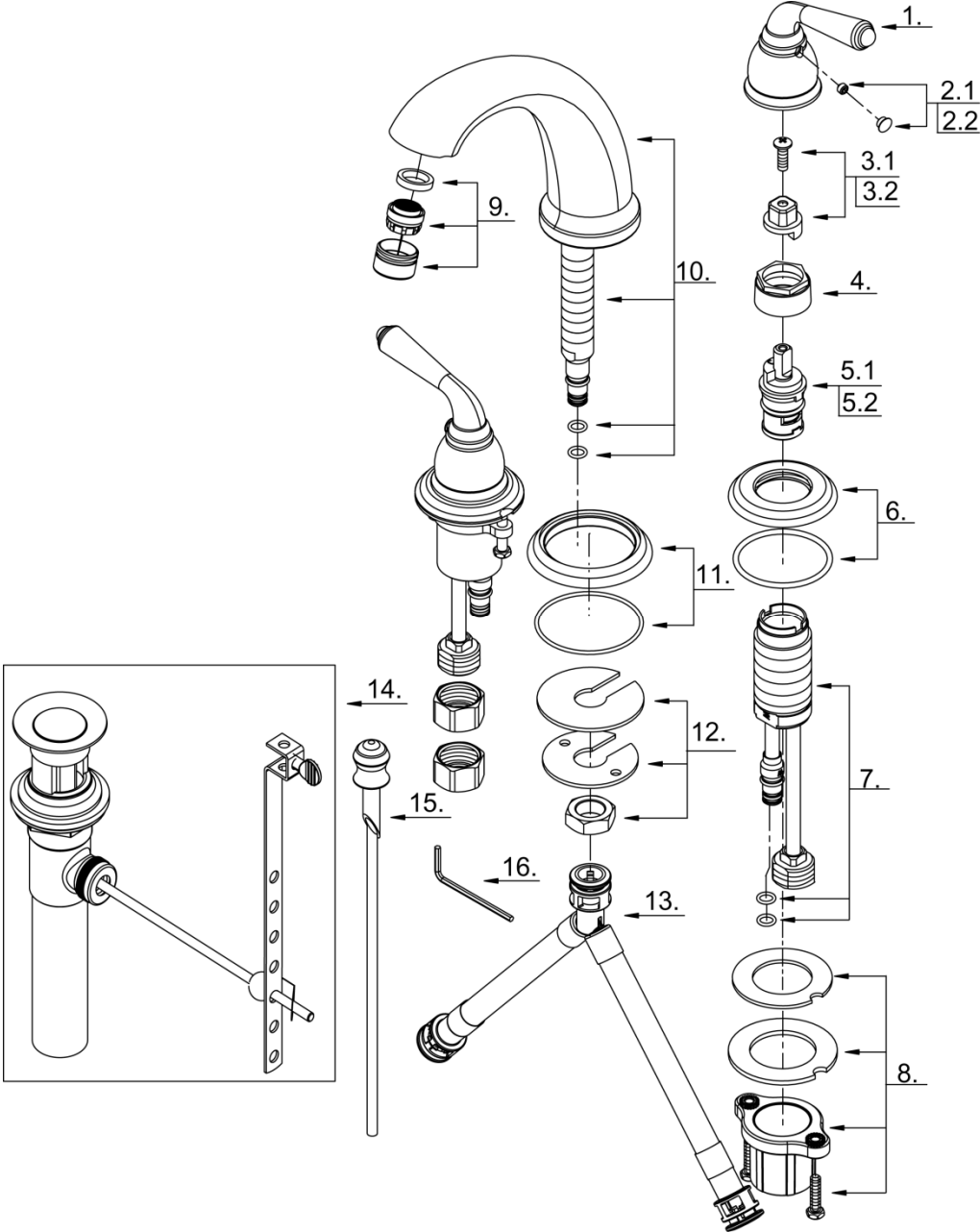
**Product Specification Diagram**



# PRO2650 PRO2650BN



## Exploded Drawing



# PRO2650 PRO2650BN



## Parts Listing

No.	Part Name	Part No.
1	Metal Handle	A069131
2.1	Index Button-Cold	A66D654C
2.2	Index Button-Hot	A66D654H
3.1	Handle Adaptor-Cold	A66D574C
3.2	Handle Adaptor-Hot	A66D574H
4	Retainer Nut	A016003
5.1	Ceramic Disc Cartridge -Cold	A507104N
5.2	Ceramic Disc Cartridge -Hot	A507103N
6	Handle Trim Ring	A663456
7	Handle Valve Body	A661002W
8	Mounting Hardware Assembly	A66D656
9	Aerator	A500953N
10	Spout Assembly	A666848W
11	Spout Trim Ring	A667591
12	Mounting Hardware	A603233
13	Supply Hose	A135141N
14	Pop-up Assembly	A025038
15	Lift Rod	A025038
16	Hex Wrench (H2.5 * L * L)	A031000NI