

PRO2600 PRO2600BN



6-12 " Two Handle Widespread Lavatory Faucet

Features:

- Solid brass/copper waterways
- 6"- 12"center hole
- Ceramic Disc cartridge
- ½" 14 NPSM Inlet
- Metal lever handle
- *Brass pop-up*
- 100% factory pressure tested



Applicable Standards/Codes:

Specified model meets or exceeds the following:

- ANSI/ASME A112.18.1
- CSA B125
- ANSI/NSF 61 – Sec. 9
- IAPMO/UPC/AB1953
- ADA Compliant 

Available finishes:

- CP = Polished Chrome
- BN = Brushed Nickel

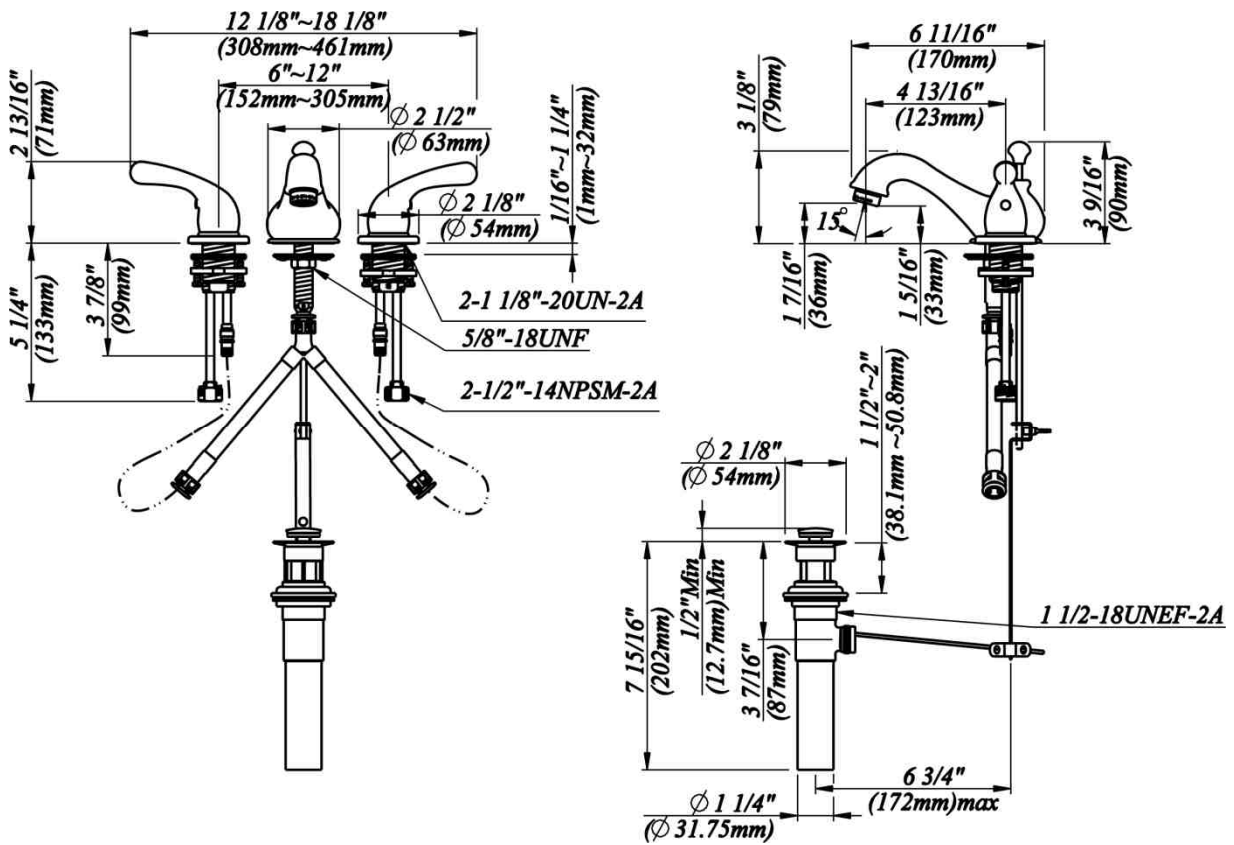
Specified model:

Model	Description	Finish
PRO2600	6"-12"two handle lavatory Faucet,	CP
PRO2600BN	6"-12"two handle lavatory Faucet,	BN

PRO2600 PRO2600BN



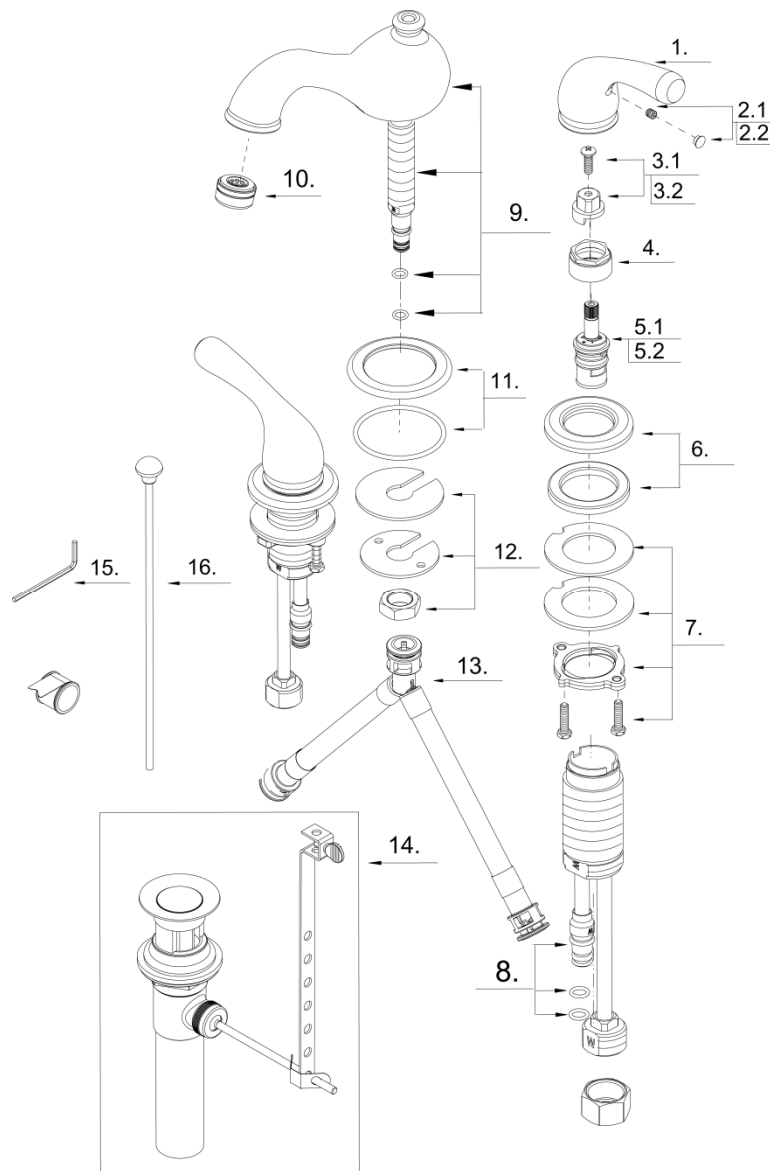
Product Specification Diagram



PRO2600 PRO2600BN



Exploded Drawing



**PRO2600
PRO2600BN**



Parts Listing

No.	Part Name	Part No.
1	Metal Handle	A029032
2.1	Index Button-Cold	A603595C
2.2	Index Button-Hot	A603595H
3.1	Handle Adaptor-Cold	A66D574C
3.2	Handle Adaptor-Hot	A66D574H
4	Retainer Nut	A016003
5.1	Ceramic Disc Cartridge-Cold	A507102W
5.2	Ceramic Disc Cartridge-Hot	A507101W
6	Handle Trim Ring	A663201
7	Mounting Hardware Assembly	A663951
8	Handle Valve Body	A661002W
9	Spout Assembly	A666627W
10	Aerator	A500872N
11	Spout Trim Ring	A667568
12	Mounting Hardware	A603233
13	Supply Hose	A135141N
14	Pup-up Assembly	A556111L
15	Hex Wrench (H2.5 * L * L)	A031000NI
16	Lift Rod	A025131L