

PRO2250 PRO2250BN



4" Two Handle Lavatory Faucet

Features:

- Solid brass/copper waterways
- Fits 4" center hole
- Ceramic Disc cartridge
- ½" 14 NPSM Inlet
- Metal lever handle
- *Brass pop-up*
- 100% factory pressure tested



Applicable Standards/Codes:

Specified model meets or exceeds the following:

- ANSI/ASME A112.18.1
- CSA B125
- ANSI/NSF 61 – Sec. 9
- IAPMO/UPC/AB1953
- ADA Compliant 

Available finishes:

- CP = Polished Chrome
- BN = Brushed Nickel

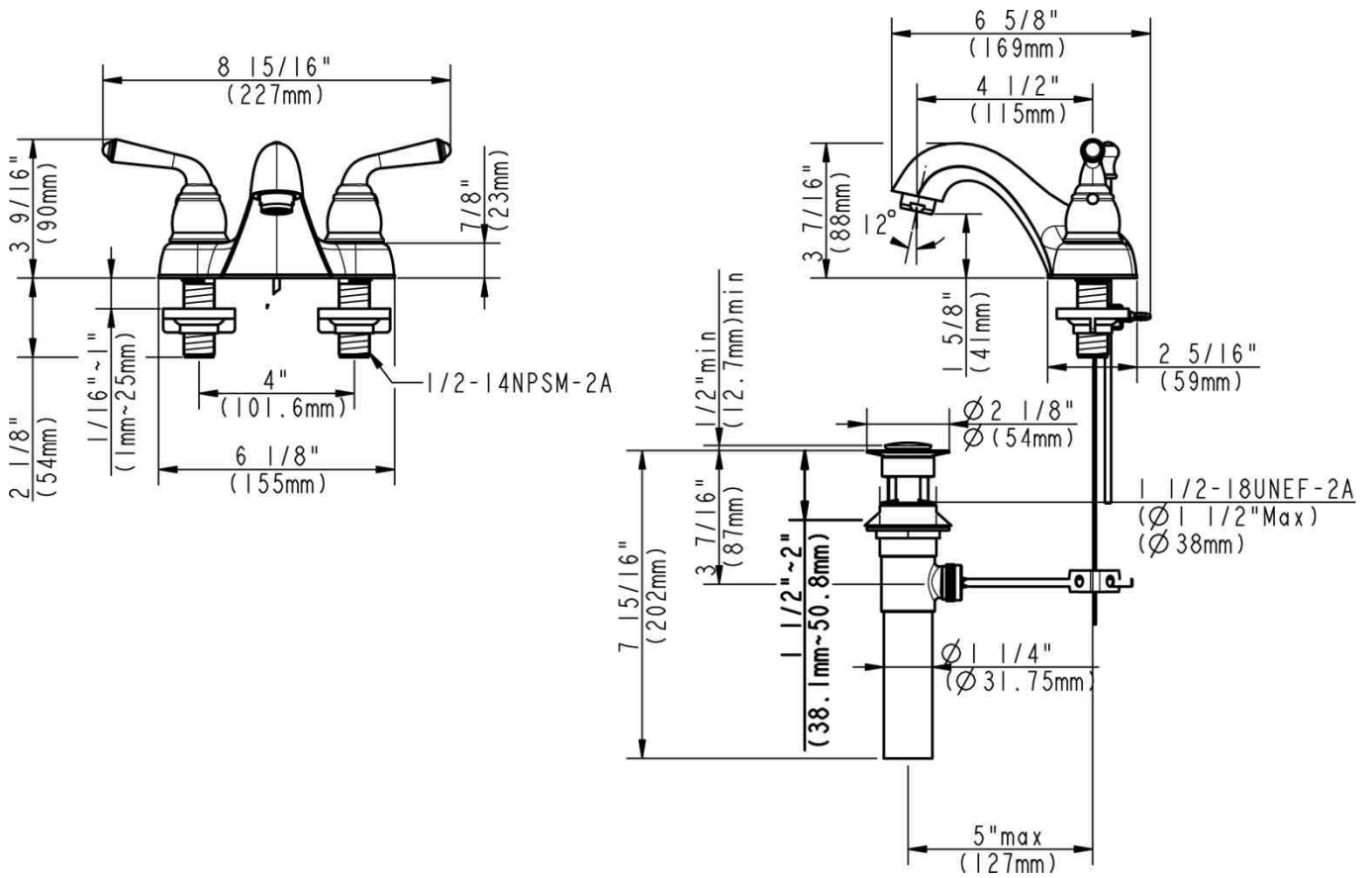
Specified model:

Model	Description	Finish
PRO2250	4"two handle lavatory Faucet,	CP
PRO2250BN	4"two handle lavatory Faucet,	BN

PRO2250 PRO2250BN



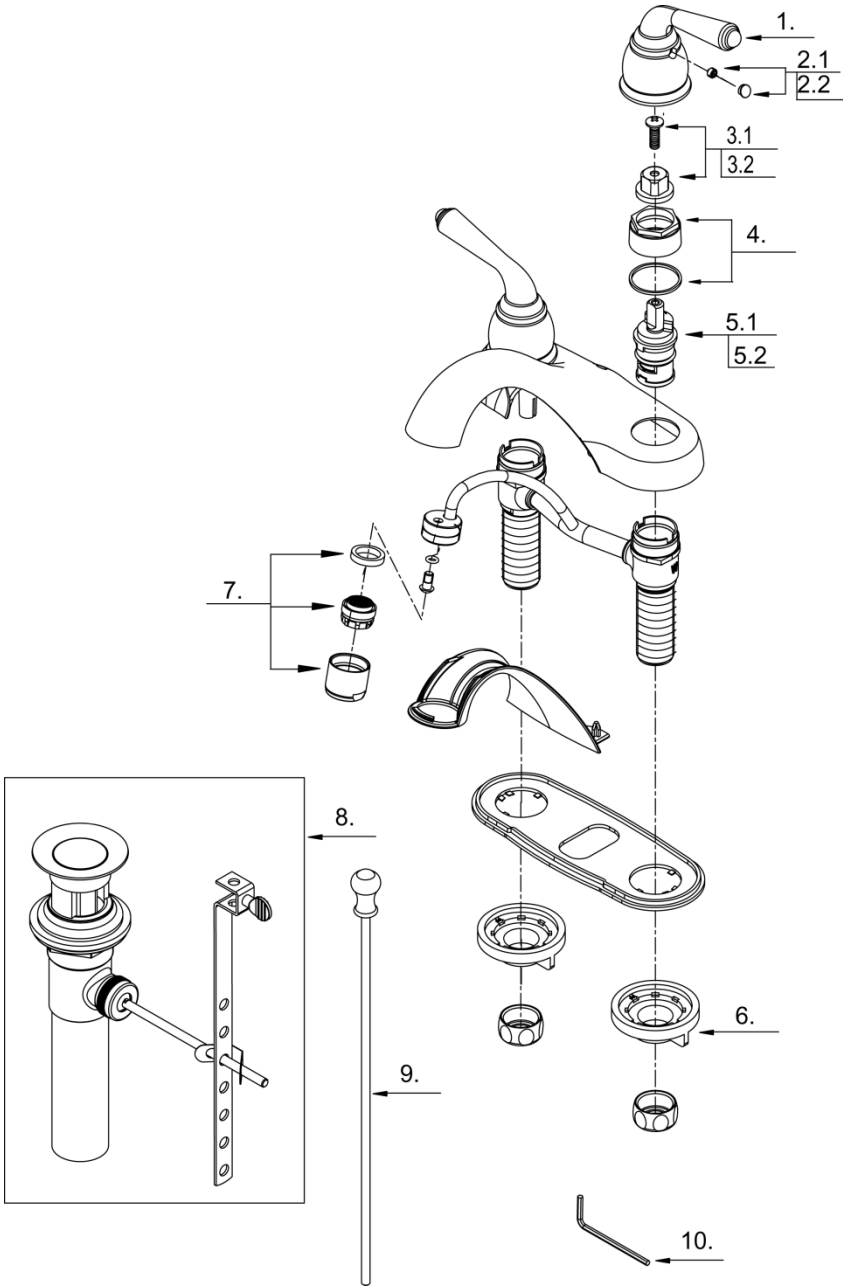
Product Specification Diagram



PRO2250 PRO2250BN



Exploded Drawing



PRO2250
PRO2250BN



Parts Listing

No.	Part Name	Part No.
1	Metal Handle	A069131
2.1	Index Button-Cold	A66G361C
2.2	Index Button-Hot	A66G361H
3.1	Adaptor & Screw-Cold	A66D574C
3.2	Adaptor & Screw-Hot	A66D574H
4	Retainer Nut & Washer	A663631
5.1	Ceramic Disc Cartridge-Hot	A507103N
5.2	Ceramic Disc Cartridge-Cold	A507104N
6	Lock Nut Set	A504023
7	Aerator	A500124N-53
8	Pop-up Assembly	A556200
9	Lift Rod	A025025
10	Wrench (H2.5 * L * 53mmL)	A031000NI