

PRO2200 PRO2200BN



4" Two Handle Lavatory Faucet


Features:

- Solid brass/copper waterways
- Fits 4" center hole
- Ceramic Disc cartridge
- ½" 14 NPSM Inlet
- Metal lever handle
- *Brass pop-up*
- 100% factory pressure tested



Applicable Standards/Codes:

Specified model meets or exceeds the following:

- ANSI/ASME A112.18.1
- CSA B125
- ANSI/NSF 61 – Sec. 9
- IAPMO/UPC/AB1953
- ADA Compliant 

Available finishes:

- CP = Polished Chrome
- BN = Brushed Nickel

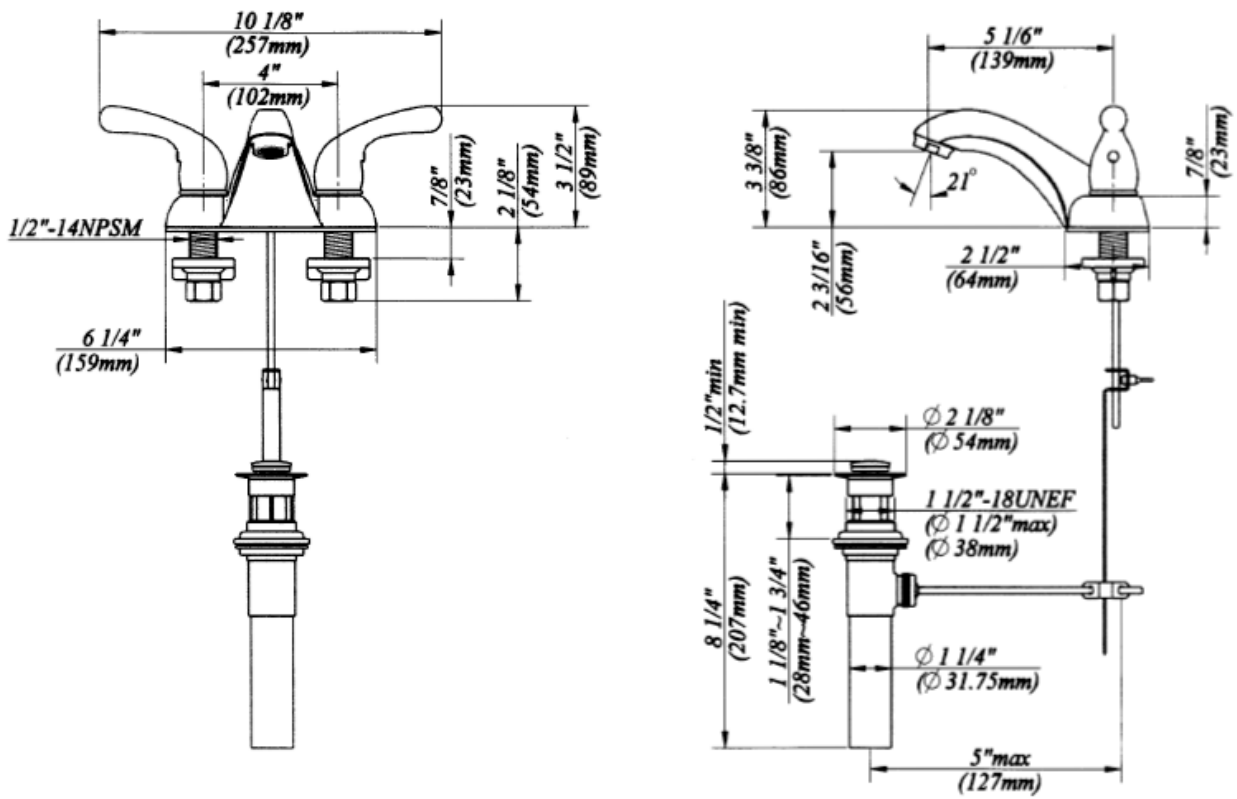
Specified model:

Model	Description	Finish
PRO2200	4" two handle lavatory Faucet,	CP
PRO2200BN	4" two handle lavatory Faucet,	BN

**PRO2200
PRO2200BN**



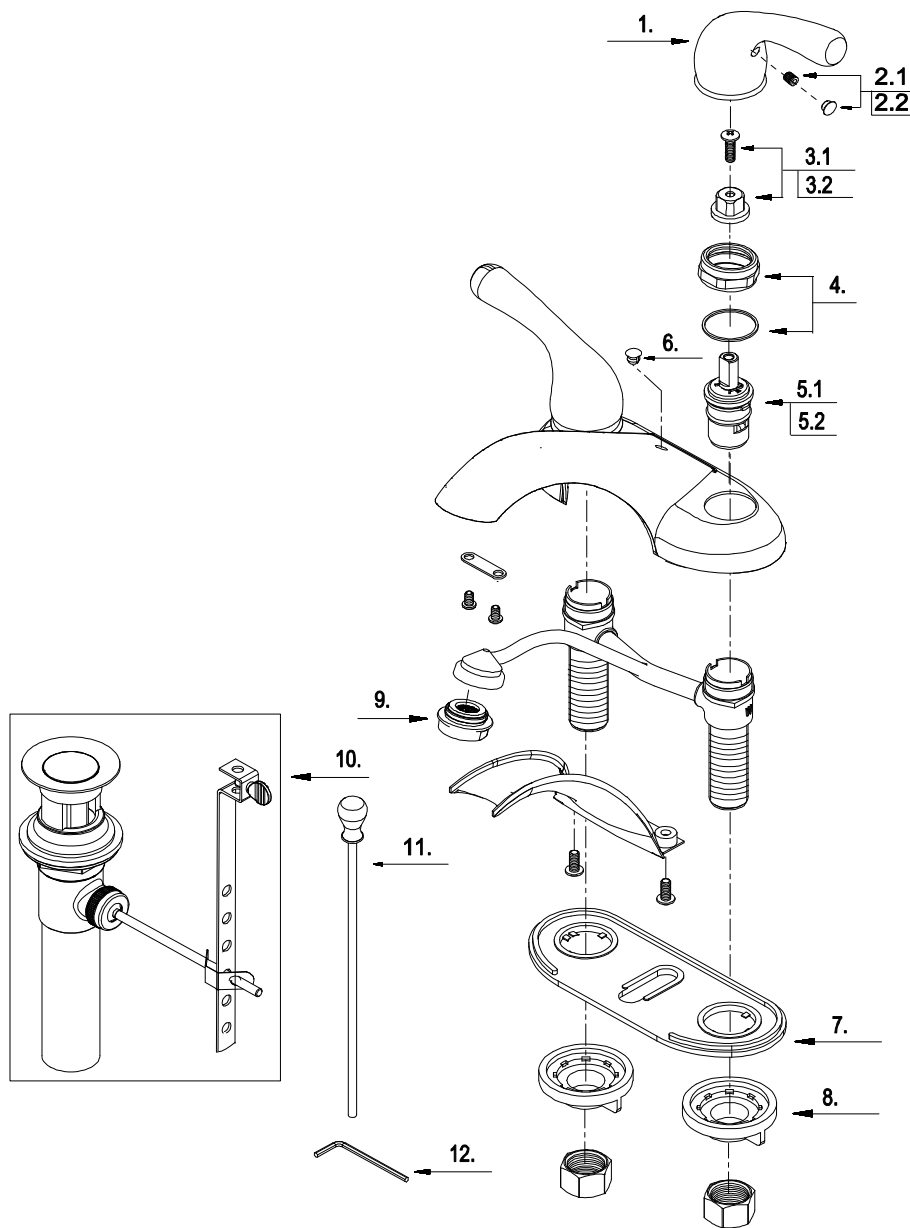
Product Specification Diagram



PRO2200 PRO2200BN



Exploded Drawing



PRO2200
PRO2200BN



Parts Listing

No.	Part Name	Part No.
1	Metal handle	A029032
2-a	Index Button-Cold	A603595C
2-b	Index Button-Hot	A603595H
3-a	Handle Adaptor-Cold	A66D574C
3-b	Handle Adaptor-Hot	A66D574H
4	Retainer Nut & Washer	A66D643
5-a	Ceramic Disc Cartridge -Cold	A507102W
5-b	Ceramic Disc Cartridge -Hot	A507101W
6	Lift Rod Plug	A028002
7	Putty Plate	A011038NF
8	Lock Nut Set	A504023
9	Aerator	A66D517N
10	Pop-up Assembly	A556111
11	Lift Rod	A025015
12	Hex Wrench(H2.5 * 19 mm L * 53 mm L)	A031000NI