

PRO2110



4"Two Handle Lavatory Faucet

Features:

- Solid brass/copper waterways
- Fits 4" center hole
- Ceramic Disc cartridge
- ½" 14 NPSM Inlet
- Acrylic round handle
- Brass pop-up
- 100% factory pressure tested



Applicable Standards/Codes:

Specified model meets or exceeds the following:

- ANSI/ASME A112.18.1
- CSA B125
- ANSI/NSF 61 – Sec. 9
- IAPMO/UPC/AB1953

Available finishes:

- CP = Polished Chrome

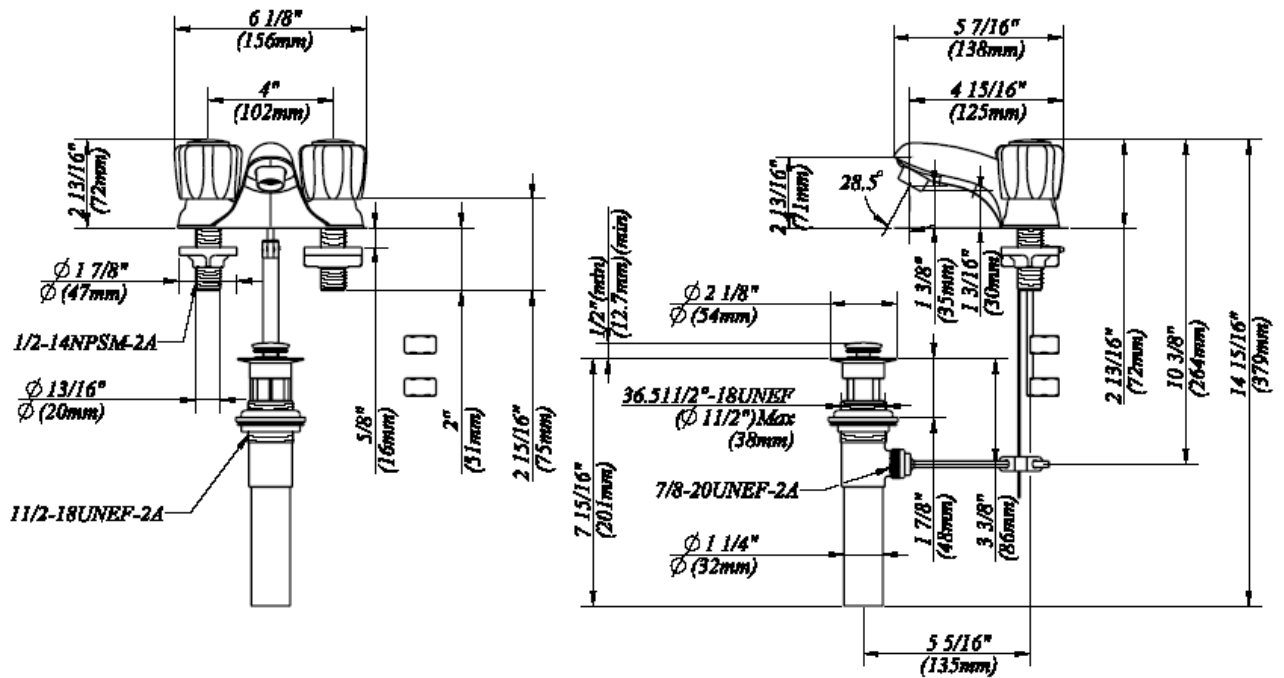
Specified model:

Model	Description	Finish
PRO2110	4"two handle lavatory Faucet,	CP

PRO2110

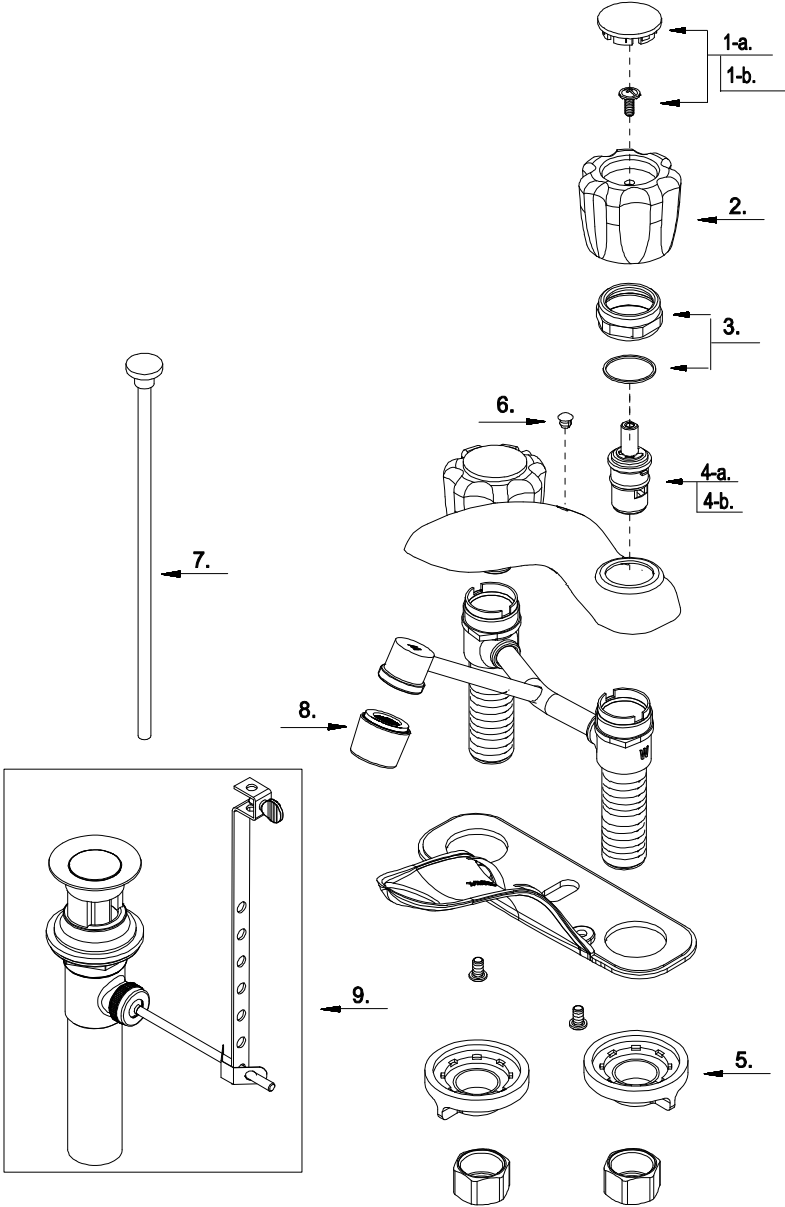


Product Specification Diagram





Exploded Drawing



PRO2110



Parts Listing

NO.	Part Name.	Part No.
1-a	Index Button-Cold	A66D687C
1-b	Index Button-Hot	A66D565H
2	Acrylic Handle	A029001
3	Retainer Nut & Washer	A66D639
4-a	Ceramic Disc Cartridge -Cold	A507102W
4-b	Ceramic Disc Cartridge -Hot	A507101W
5	Lock Nut Set	A504023
6	Lift Rod Plug	A028002
7	Lift Rod	A025011
8	Aerator	A500871N
9	Pop-up Assembly	A556111