

PRO2105



4" Two Handle Lavatory Faucet

Features:

- Solid brass/copper waterways
- Fits 4" center hole
- Ceramic Disc cartridge
- ½" 14 NPSM Inlet
- Metal lever handle
- *Brass pop-up*
- 100% factory pressure tested



Applicable Standards/Codes:

Specified model meets or exceeds the following:

- ANSI/ASME A112.18.1
- CSA B125
- ANSI/NSF 61 – Sec. 9
- IAPMO/UPC/AB1953
- ADA Compliant 

Available finishes:

- CP = Polished Chrome
- BN = Brushed Nickel

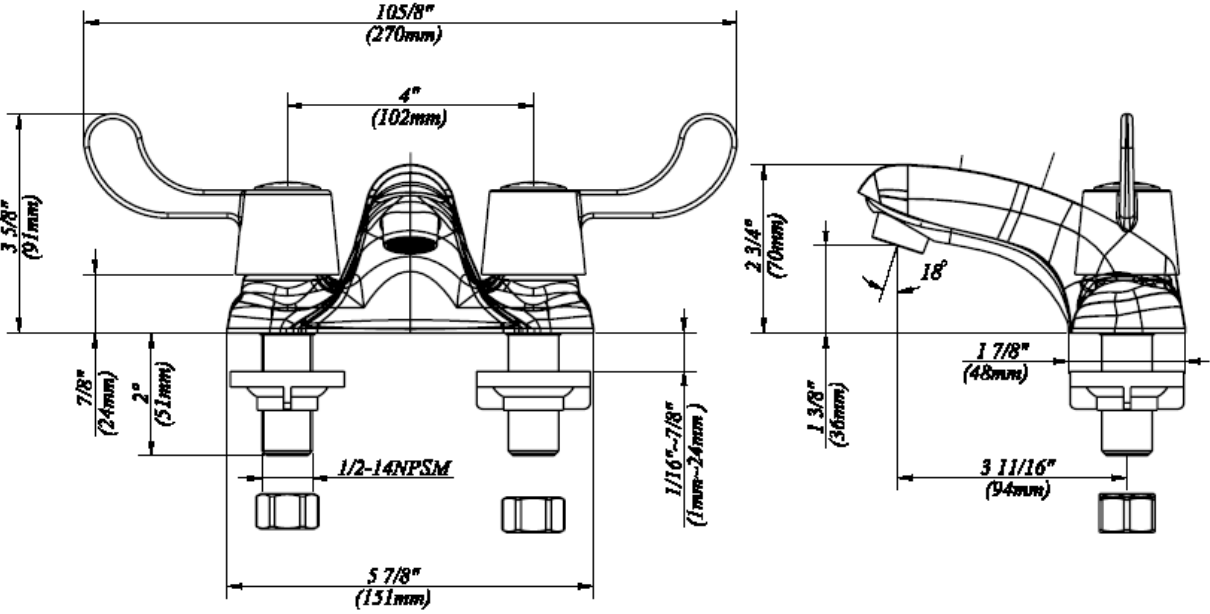
Specified model:

Model	Description	Finish
PRO2105	4" two handle lavatory Faucet,	CP

PRO2105



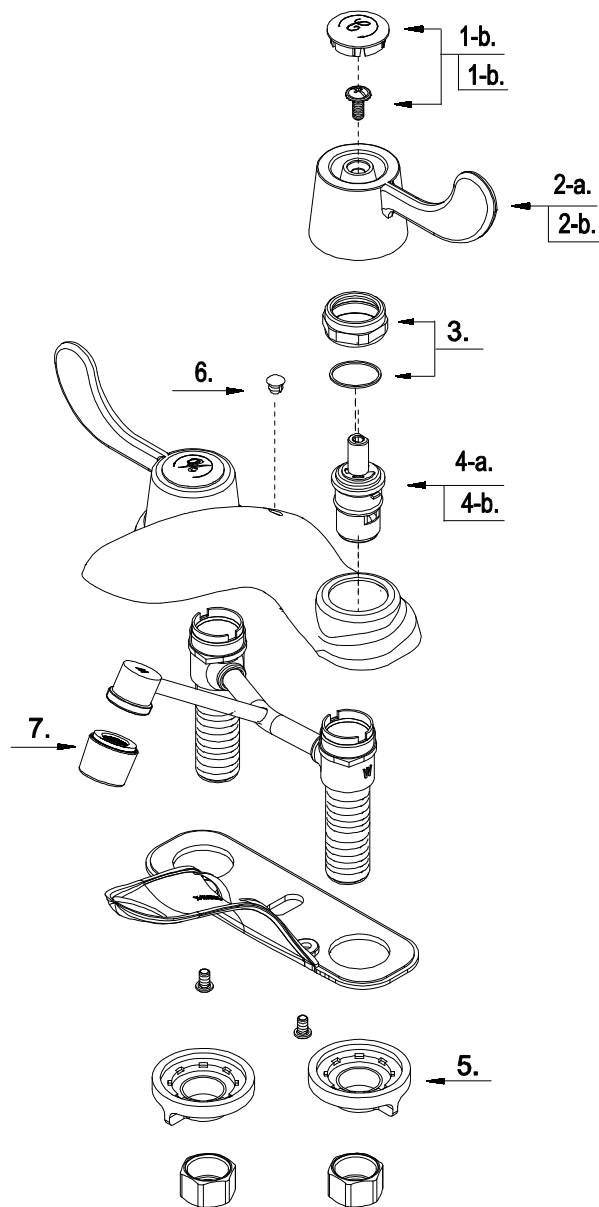
Product Specification Diagram



PRO2105



Exploded Drawing



PRO2105



Parts Listing

No.	Part Name	Part No.
1-a	Index Button - Cold	A66D591C
1-b	Index Button - Hot	A66D591H
2-a	Metal Wrist Blade Handle -Cold	A069071C
2-b	Metal Wrist Blade Handle-Hot	A069071H
3	Retainer Nut & Washer	A66D639
4-a	Ceramic Disc Cartridge-Cold	A507102W
4-b	Ceramic Disc cartridge-Hot	A507101W
5	Lock Nut Set	A504023
6	Aerator	A500871N
7	Lift Rod Plug	A028002