



4" Single Handle Lavatory Faucet

PRO1110

FEATURES:

- Solid brass waterways
- Fits 4" center holes
- Ceramic Disc Valve
- 1/2" 14 NPS Inlet
- Acrylic round handle
- With Brass pop-up
- 100% ISO9001 certified factory pressure tested before shipment
- Meets product compliance of less than or equal to 0.25% maximum weighted average lead content



APPLICABLE STANDARDS/CODES:

Specified model meets or exceeds the following:

- ANSI/ASME A112.18.1
- CSA B125
- ANSI/NSF 61 – Sec. 9
- IAPMO/UPC

AVAILABLE FINISHES:

- CP = Polished Chrome

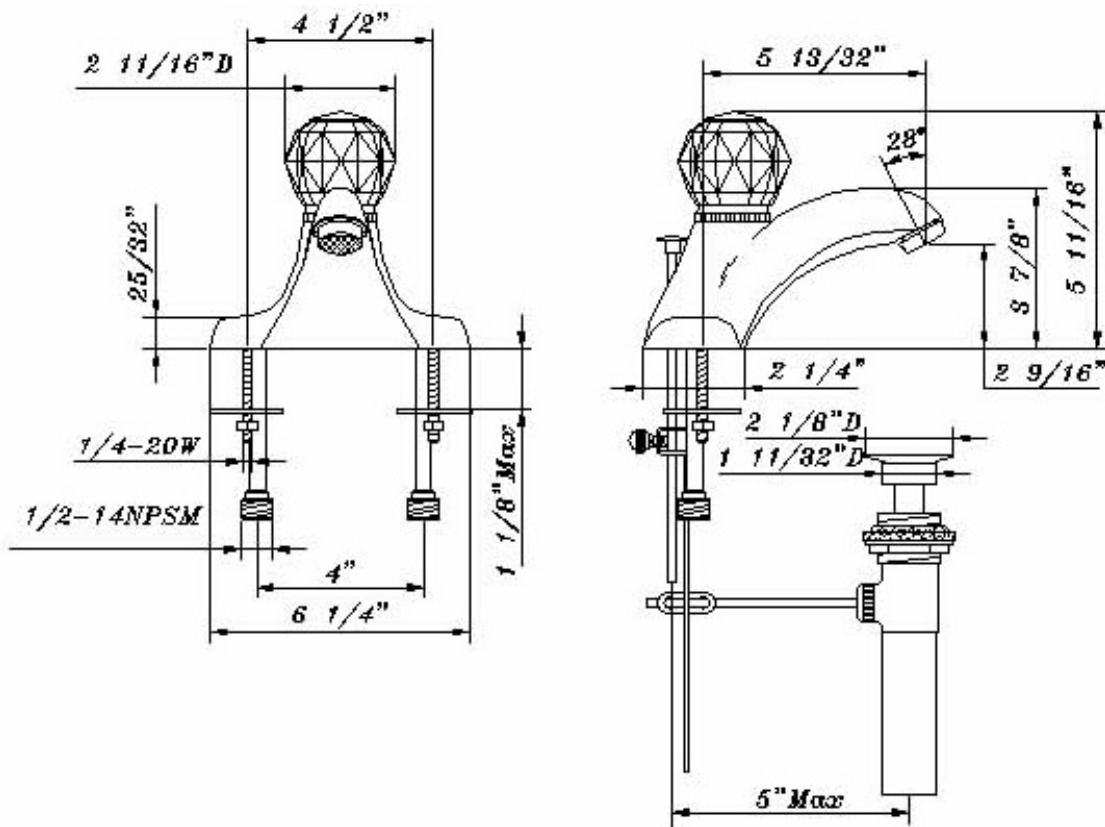
SPECIFIED MODEL:

Model	Description	Finish
PRO1110	4" single handle lavatory faucet.	CP



PRO1110

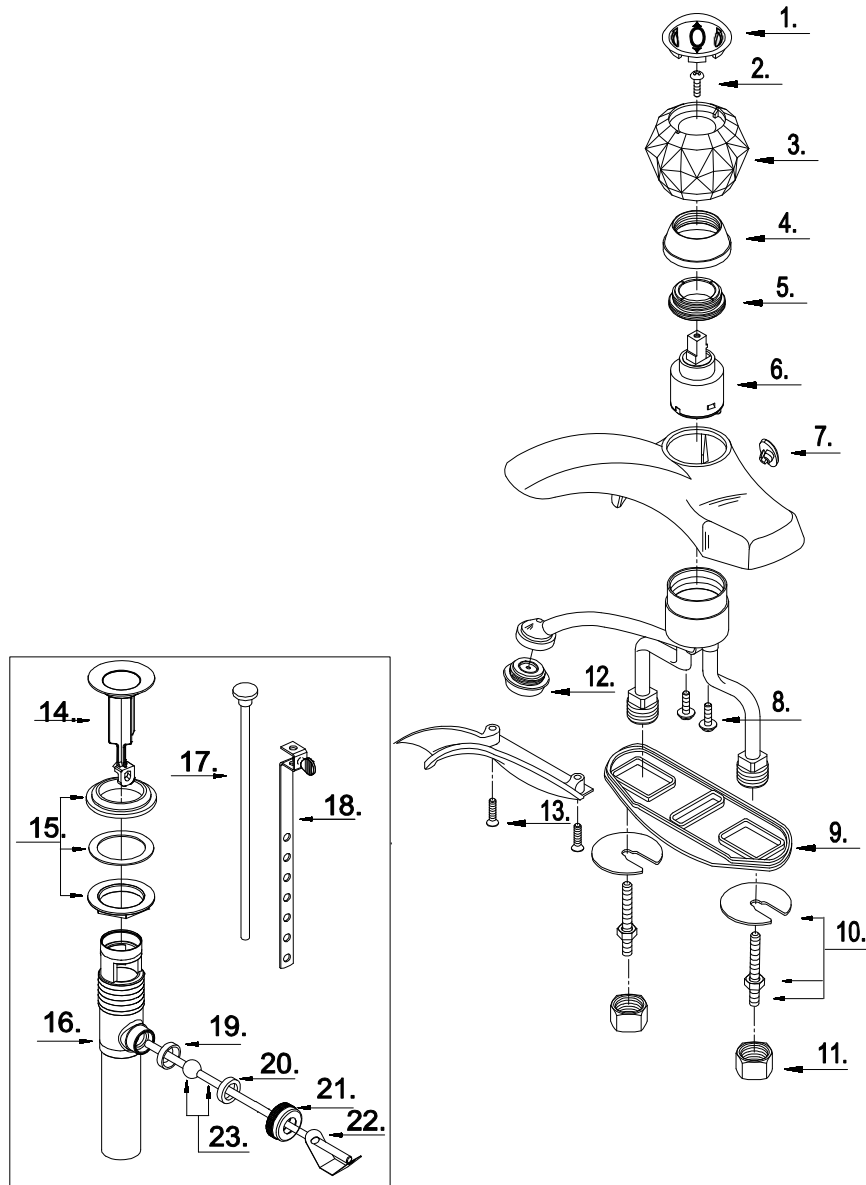
PRODUCT SPECIFICATION DIAGRAM





PRO1110

EXPLODED DRAWING





PRO1110

PARTS LISTING

No.	Part Name	Part No.
1	Index Button-Cold/Hot	A206094
2	Screw(M4 * 20 mm L)	A065018
3	Acrylic Handle	A069012
4α.	Trim Cap	A103288
5	Locking Nut	A104002
6	Ceramic Disc Cartridge	A507348N
7α.	Lift Rod Plug	A028005
8	Screw(3/16" -24 * 9/16" L)	A008043
9	Putty Plate	A011048NF
10	Mounting Hardware	A663638
11	Coupling Nut	A009016
12α.	Aerator	A500219N
13	Screw(3/16" -24 * 5/8" L)	A008092
14α.	Pop-up Plunger Assembly	A663121
15	Washer & Nut	A663122
16	Pop-up Body	A605222
17α.	Lift Rod	A025011
18	Lift Rod Strap	A663521
19	Washer(Inner)	A200109
20	Washer(Outer)	A200009
21	Ball Nut	A009063
22	Spring Clip	A120030
23	Ball Rod(6-5/16"L)	A026004