

PRO1100 PRO1100BN



4" Single Handle Lavatory Faucet


Features:

- Solid brass/copper waterways
- Fits 4" center hole
- Ceramic Disc cartridge
- ½" 14 NPSM Inlet
- Metal lever handle
- *Brass pop-up*
- 100% factory pressure tested



Applicable Standards/Codes:

Specified model meets or exceeds the following:

- ANSI/ASME A112.18.1
- CSA B125
- ANSI/NSF 61 – Sec. 9
- IAPMO/UPC/AB1953
- ADA Compliant 

Available finishes:

- CP = Polished Chrome
- BN = Brushed Nickel

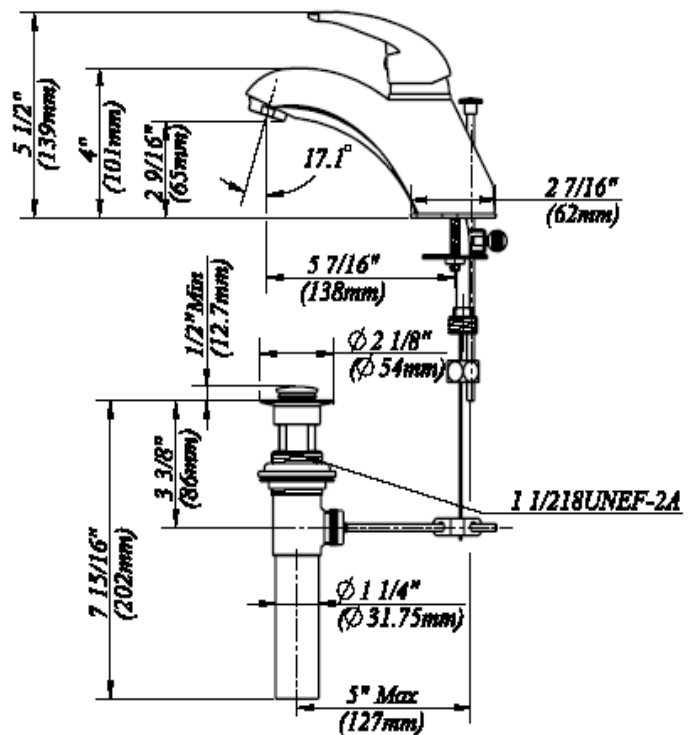
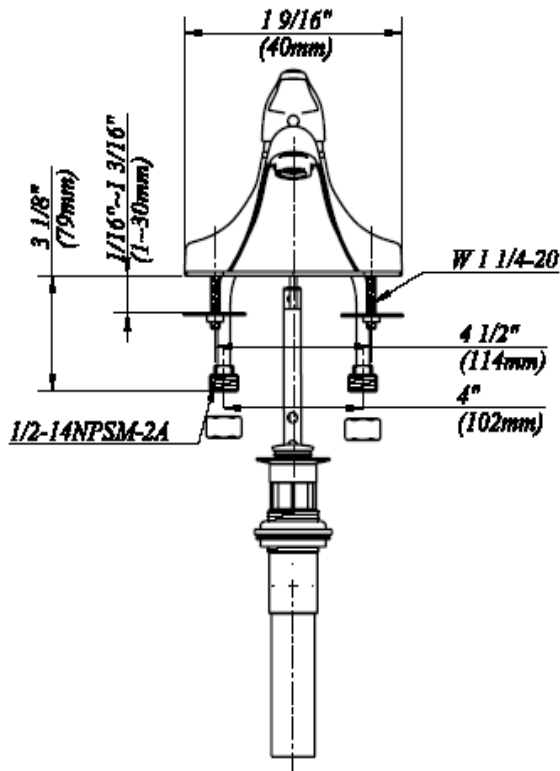
Specified model:

Model	Description	Finish
PRO1100	4" single handle lavatory Faucet,	CP
PRO1100BN	4" single handle lavatory Faucet,	BN

PRO1100 PRO1100BN



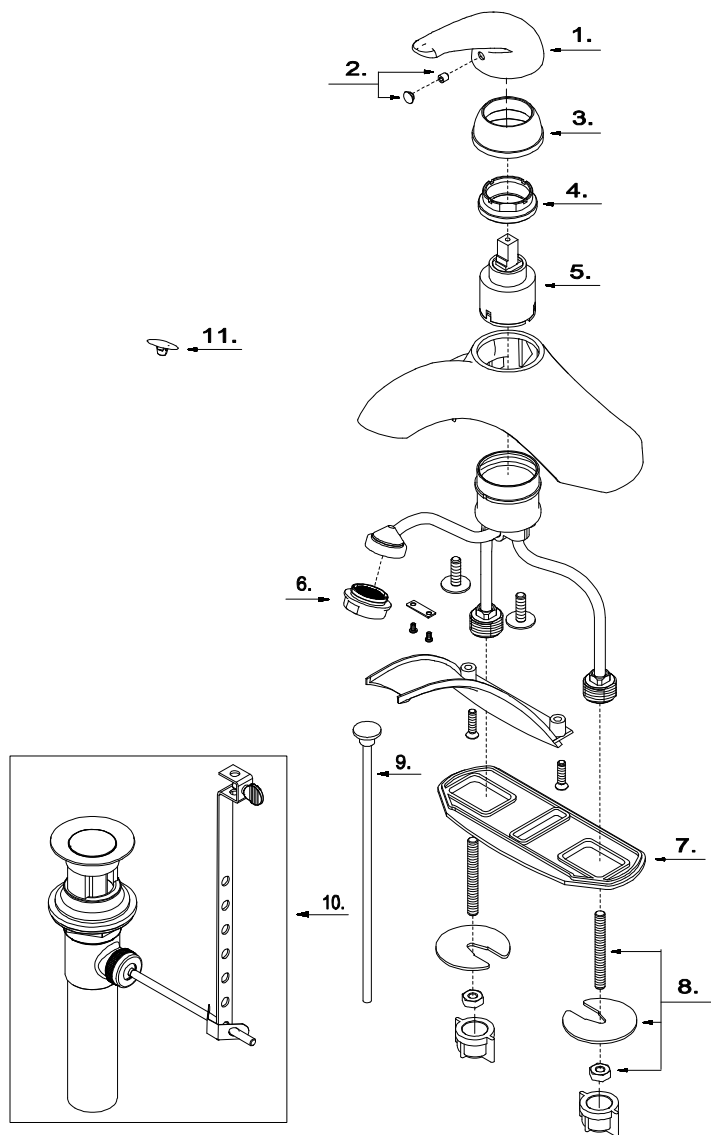
Product Specification Diagram



PRO1100
PRO1100BN



Exploded Drawing



PRO1100
PRO1100BN



Parts Listing

No.	Part Name	Part No.
1	Metal Handle	A029072
2	Handle Cap	A66D569
3	Trim Cap	A103021-P
4	Locking Nut	A104002
5	Ceramic Disc Cartridge	A507348N
6	Aerator	A500021N-51
7	Putty Plate	A011048NF
8	Mounting Hardware	A663638
9	Lift Rod	A025011
10	Pop-up Assembly	A556111
11	Lift Rod Plug	A028005