

Do you want to save time installing  
Mod-Con Boilers *and* get the  
manifold spacing right?

**Make the Smart Choice.**

## PUREPRO® HYDRO NEAR BOILER KITS

There is no way around it. Hydraulic separation is necessary when installing mod-con boilers. Near boiler piping requires accurate spacing at the manifold to achieve hydraulic separation.

Fabricating closely spaced tees can be a challenge as they require both careful calculation and numerous connections. Each connection takes time and offers a potential leak path.

**Now there is an alternative.**

**PurePro® Hydro Near Boiler Kits** are unique full port forged brass manifold systems that eliminate this time consuming work.

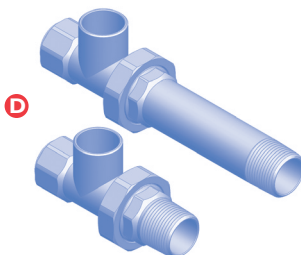
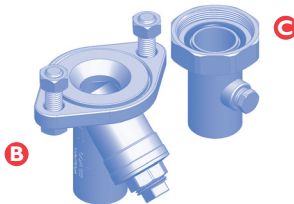
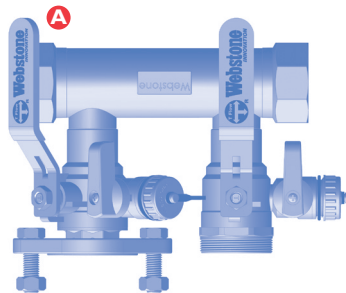
The kits streamline boiler installations, provide accurate piping and offer purge features for start-up and future maintenance.

**PurePro® Hydro Near Boiler Kits** include:

- A** Manifold with two Isolation/Purging Valves
- B** Rotating Flange with Y-Strainer
- C** Union Connection with Gauge Port
- D** Two Boiler Connections with NPT (Plugged) Fittings

Simplify your work. Eliminate over 20 field piping connections. Save up to two hours on each installation. **Make the Smart Choice.**

**Advanced Solutions for Near Boiler Piping**



**PurePro®**

1 Bon Terrain Drive  
Amherst, NH 03031

**PurePro**

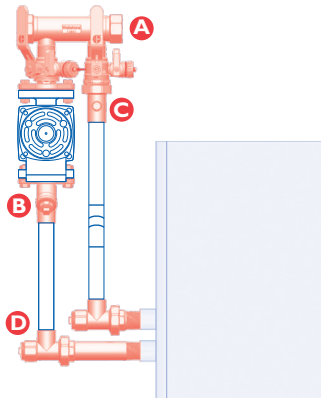
®

# PUREPRO® HYDRO NEAR BOILER KITS

## PurePro® Hydro Near Boiler Kit 1

**For Use With:**

- Burnham Alpine 80 – 210
- HTP Elite 80 – 220
- Lochinvar Knight KBN 081 – 211

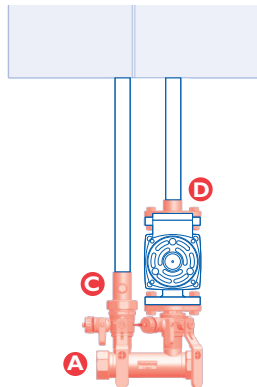


Webb#	Mfg#	Description / Contents
435257	PROPPSHKI	<b>PurePro® Hydro Near Boiler Kit 1</b>
	A	NPT Manifold (1 1/4" Run × 1" Valves)
	B	1" SWT Strainer w/ Rotating Flange
	C	1" SWT Union Connection
	D	(2) 1" Male NPT Union Tailpiece × 1" Female NPT Fitting × 1" SWT Fitting

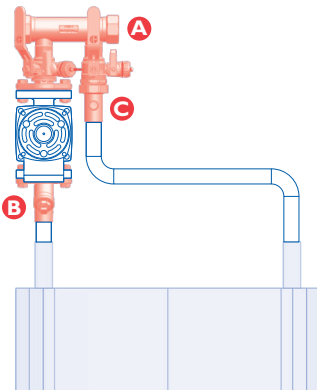
## PurePro® Hydro Near Boiler Kit 2

**For Use With:**

- Weil McLain Ultra 80 – 105
- Peerless Purefire 50 – 210
- Triangle Tube Prestige Solo 60
- Lochinvar Knight WBN 051 – 211 & WHN 055 - 155



Webb#	Mfg#	Description / Contents
435258	PROPPSHK2	<b>PurePro® Hydro Near Boiler Kit 2</b>
	A	NPT Manifold (1 1/4" Run × 1" Valves)
	B	1" SWT Strainer w/ Rotating Flange
	C	1" SWT Union Connection
	D	1" SWT Rotating Flange



**PurePro®**  
1 Bon Terrain Drive  
Amherst, NH 03031

**PurePro**®

®